



Pass Cisco 100-101 Cisco Interconnecting Cisco Networking Devices Part 1 (ICND) exam in just 24 HOURS!

100% REAL EXAM QUESTIONS ANSWERS
Cisco 100-101 - Cisco Interconnecting Cisco Networking Devices Part 1 (ICND)

Buy Complete Questions Answers File from

<http://www.exams4sure.com/Cisco/100-101-practice-exam-dumps.html>

100% Exam Passing Guarantee & Money Back Assurance



Sample Questions

Question No 1:

Which three statements are true about the operation of a full-duplex Ethernet network?
(Choose three.)

- A. There are no collisions in full-duplex mode.
- B. A dedicated switch port is required for each full-duplex node.
- C. Ethernet hub ports are preconfigured for full-duplex mode.
- D. In a full-duplex environment, the host network card must check for the availability of the network media before transmitting.
- E. The host network card and the switch port must be capable of operating in full-duplex mode.

Answer: A, B, E

Question No 2:

Which OSI layer header contains the address of a destination host that is on another network?

- A. Application
- B. Session
- C. Transport
- D. Network
- E. Data link
- F. Physical

Answer: D

Question No 3:

Which layer of the TCP/IP stack combines the OSI model physical and data link layers?

- A. Internet layer
- B. Transport layer
- C. Application layer
- D. Network access layer

Answer: D

Question No 4:

Which protocol uses a connection-oriented service to deliver files between end systems?

- A. TFTP
- B. DNS
- C. FTP
- D. SNMP
- E. RIP

Answer: C

Question No 5:

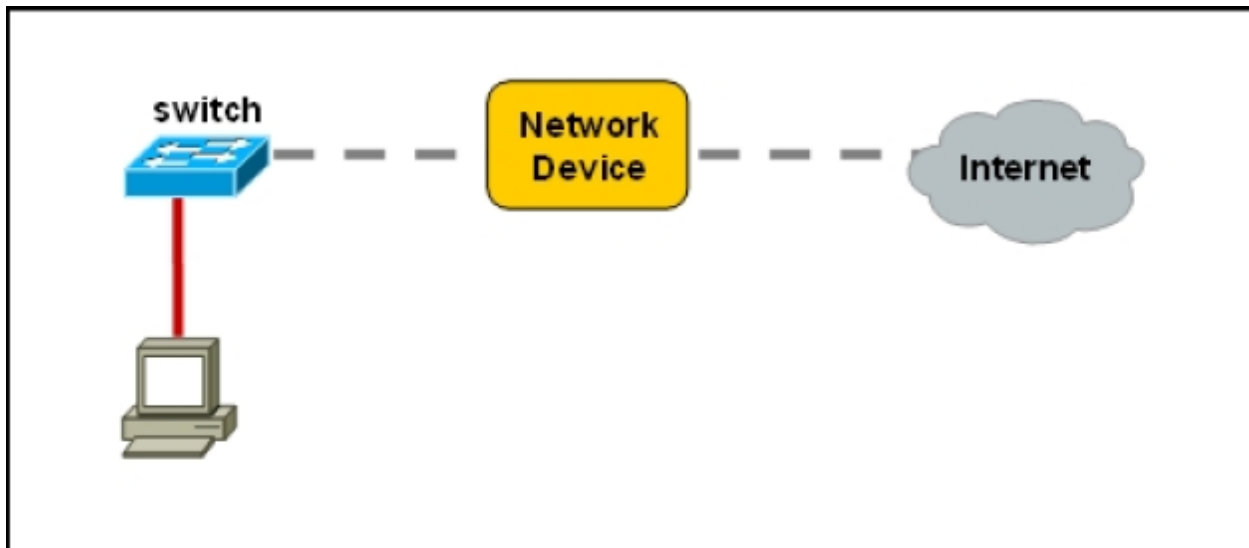
Which statements accurately describe CDP? (Choose three.)

- A. CDP is an IEEE standard protocol.
- B. CDP is a Cisco proprietary protocol.
- C. CDP is a datalink layer protocol.
- D. CDP is a network layer protocol.
- E. CDP can discover directly connected neighboring Cisco devices.
- F. CDP can discover Cisco devices that are not directly connected.

Answer: B, C, E

Question No 6:

Refer to the exhibit.



A network device needs to be installed in the place of the icon labeled Network Device to accommodate a leased line attachment to the Internet. Which network device and interface configuration meets the minimum requirements for this installation?

- A. A router with two Ethernet interfaces
- B. A switch with two Ethernet interfaces
- C. A router with one Ethernet and one serial interface
- D. A switch with one Ethernet and one serial interface
- E. A router with one Ethernet and one modem interface

Answer: C

Question No 7:

How does a switch differ from a hub?

- A. A switch does not induce any latency into the frame transfer time.
- B. A switch tracks MAC addresses of directly-connected devices.
- C. A switch operates at a lower, more efficient layer of the OSI model.
- D. A switch decreases the number of broadcast domains.
- E. A switch decreases the number of collision domains.

Answer: B

Question No 8:

What must occur before a workstation can exchange HTTP packets with a web server?

- A. A UDP connection must be established between the workstation and its default gateway.
- B. A UDP connection must be established between the workstation and the web server.
- C. A TCP connection must be established between the workstation and its default gateway.
- D. A TCP connection must be established between the workstation and the web server.
- E. An ICMP connection must be established between the workstation and its default gateway.
- F. An ICMP connection must be established between the workstation and the web server.

Answer: D

Question No 9:

How does TCP differ from UDP? (Choose two.)

- A. TCP provides best effort delivery.
- B. TCP provides synchronized communication.
- C. TCP segments are essentially datagrams.
- D. TCP provides sequence numbering of packets.
- E. TCP uses broadcast delivery.

Answer: B, D

Question No 10:

Which layer of the OSI model controls the reliability of communications between network devices using flow control, sequencing and acknowledgments?

- A. Physical
- B. Data-link
- C. Transport
- D. Network

Answer: C

Buy Complete Questions Answers File from

- PDF Version + Test Engine Software Version
- 90 Days Free Updates Service
- Valid for All Countries



<http://www.exams4sure.com/Cisco/100-101-practice-exam-dumps.html>

