

Room Kit & Room Kit Plus

Video endpoints for meeting rooms

Introducing Cisco Room Kit & Room Kit Plus

Connecting people

Superior
experience

Smarter
meeting
rooms

Seamless
workflow



Spark Cloud

Built for both



On-premises (CUCM or VCS-C or Exp-C)

Choose the Room Kit optimized for your room size

Ideal for rooms up to 6 meters



Cisco Room Kit



Codec and camera integrated Touch panel

Ideal for rooms up to 10 meters



Cisco Room Kit Plus

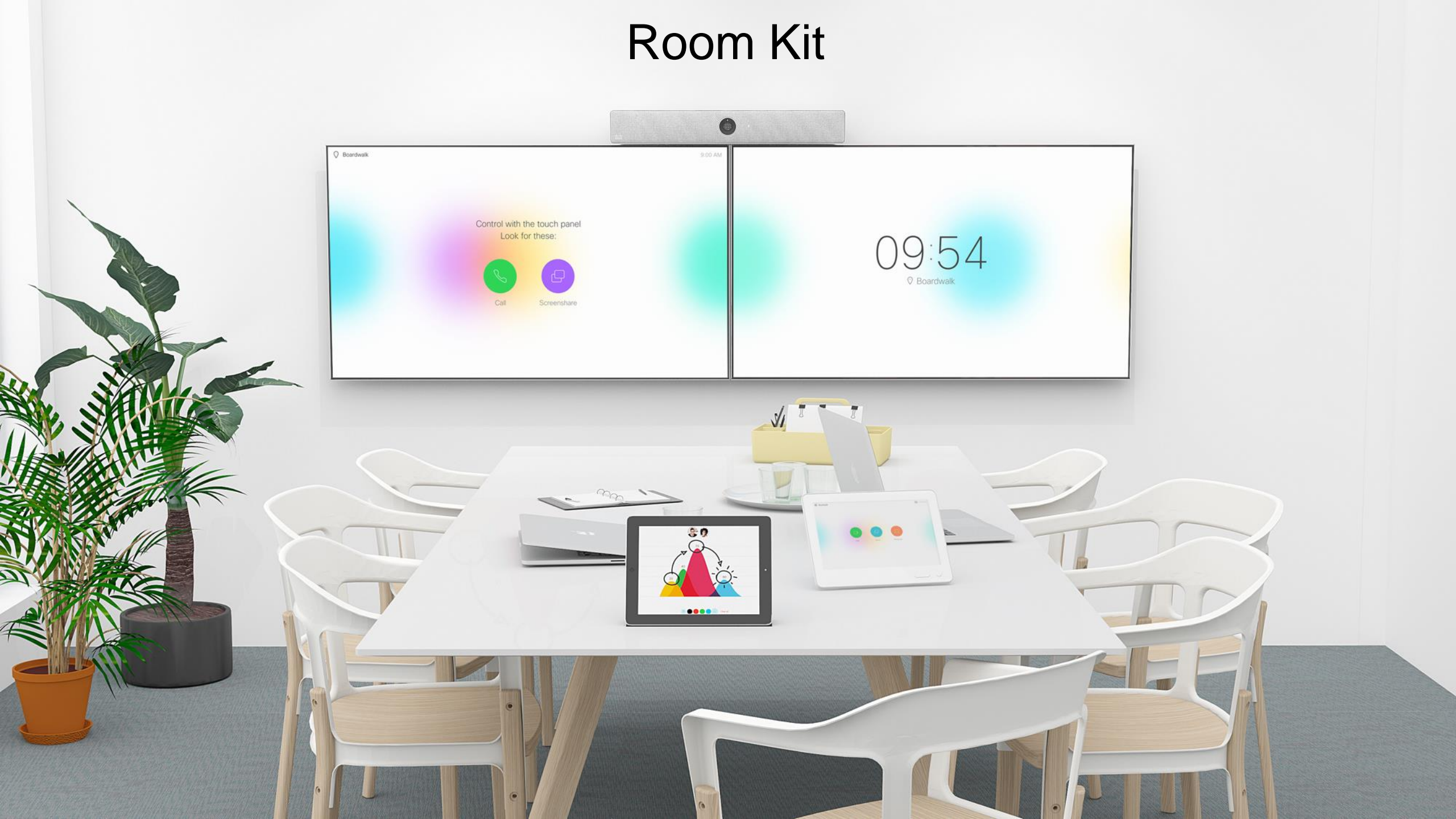


Quad camera unit

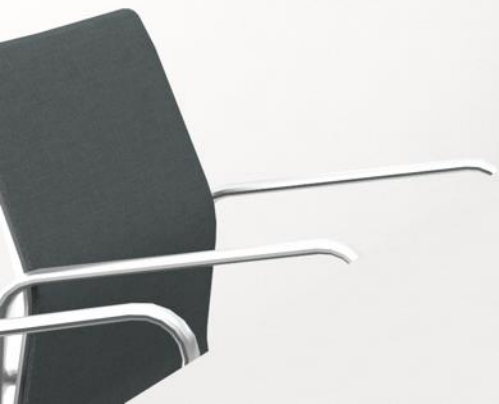
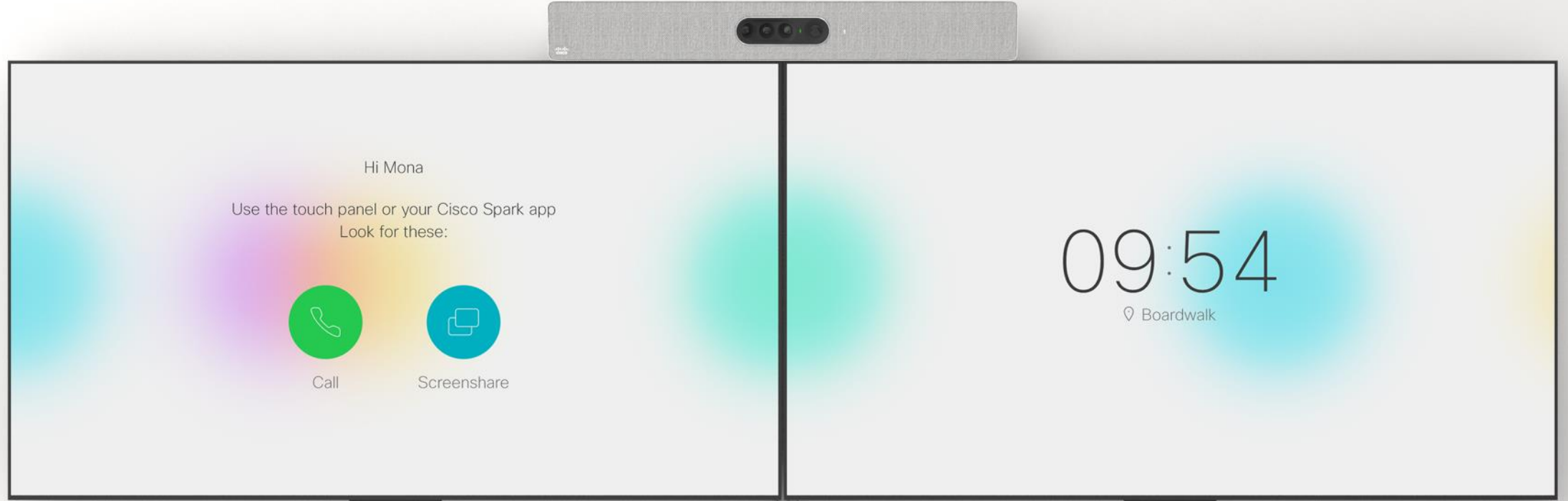
Codec Plus

Touch panel

Room Kit



Room Kit Plus



A superior meeting experience

Now for every room



High quality audio

Built-in speakers for natural audio with presence. Room kit has also integrated microphones

High quality video

Unobtrusive fixed lens with automated intelligent framing

High quality content

Support for two 4k displays, for people and content

Intelligent Framing of Meeting Room Participants

Best OverView



1. Auto-detects people in room

2. Selects best framing

Intelligent Framing of Meeting Room Participants

SpeakerTrack

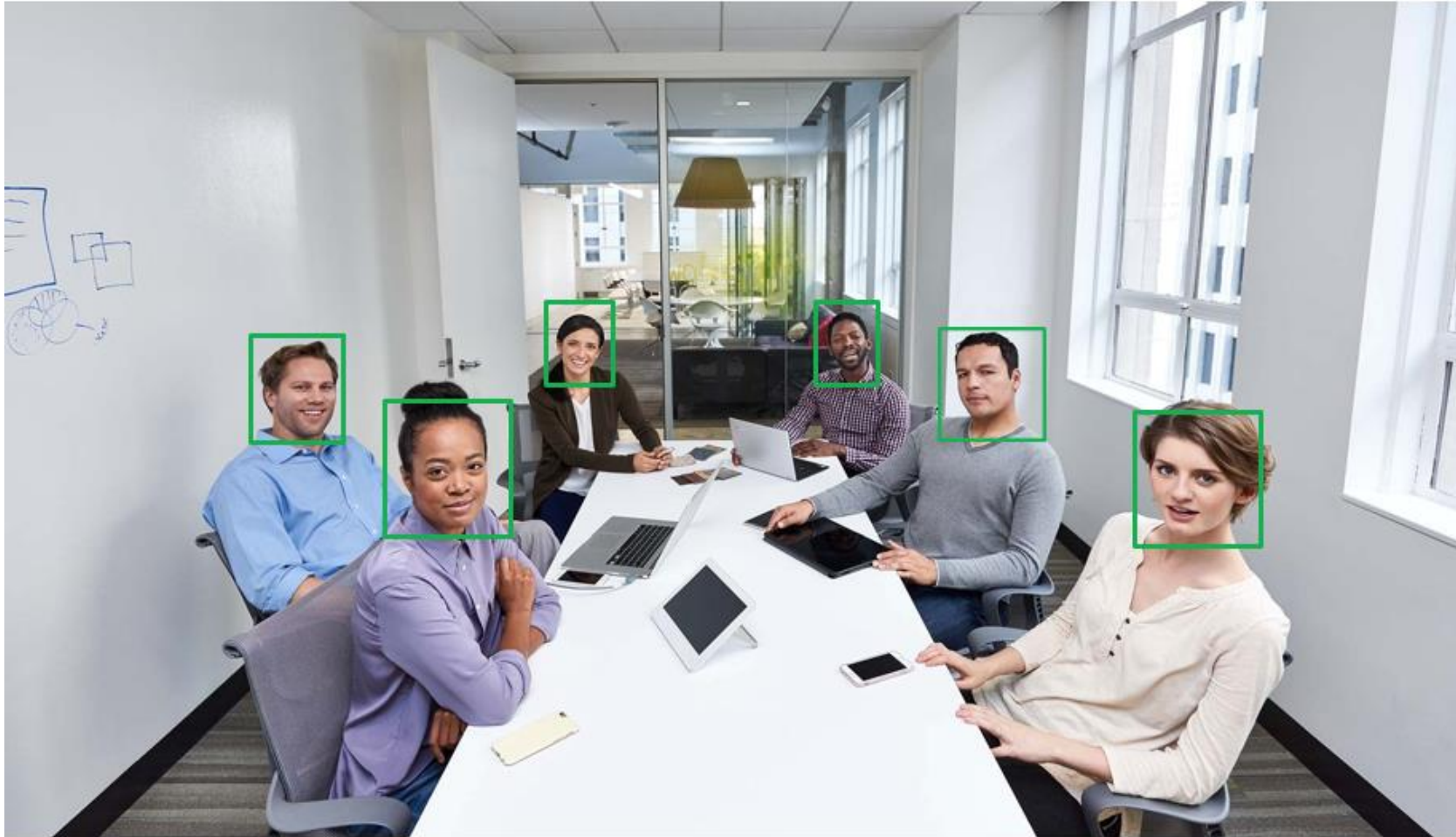


1. Detects person speaking



2. Selects best framing for person speaking

Analytics



New analytics and metrics tools

- People count
- Collaboration dynamics
- Type of activities
- Metrics for continuous improvements

Smarter meeting rooms

Digital transformation that gets more done -- fast

Smart starts to avoid wasted time

- Auto wake-up
- Activity-based UI menu
- Auto pair with BYOD
- One button to join
scheduled calls

Smart API & metrics for resource planning

- Usage metrics (people
count)
- API for developers



Smart presenting to quickly align

- Wireless sharing
- Wired sharing
- 4k content
- Compare content locally

Smart integration for simpler interaction

- Always available Touch 10
- In-room and 3rd party device
control
- Display control automated (CEC)
- Wifi connectivity

Registration/Deployment options

- Room Kits can be on-prem or registered to Spark cloud
 - On-prem to CUCM, VCS, third-party, or standalone
 - Identical to SX and MX in that respect
- H.323 is supported, as well as SIP

Various Features

- 4K UHD presentation support
 - First standards-based endpoint to support 4K presentation
 - SX and MX platforms are not capable of 4K
- H.265 on Main Video channel
 - Presentation channel uses H.264
 - Identical to SX80 and MX700/800
- H.264 only when using embedded multisite
- H.263 is not supported
 - MXP dual stream interop is therefore not supported

Microphones

- Room Kit has one embedded microphone
 - Two additional microphone inputs, for Table Microphone 20 or Cisco Ceiling Microphone
 - Third party microphone systems can be used
- Room Kit Plus has no embedded microphone
 - Be sure to order at least one
 - Three microphone inputs on the codec

Speakers

- Room Kit has five loudspeakers
 - Frequency response 70Hz to 20kHz
 - Max output level 86 dB SPL
- Room Kit Plus has five loudspeakers
 - Frequency response 70Hz to 20kHz
 - Max output level 90 dB SPL

Touch 10

- Touch 10 ships with both Room Kits
 - Remote control not supported
 - Touch 10 can be used to control environment, by using In-Room Control or for Macro controls

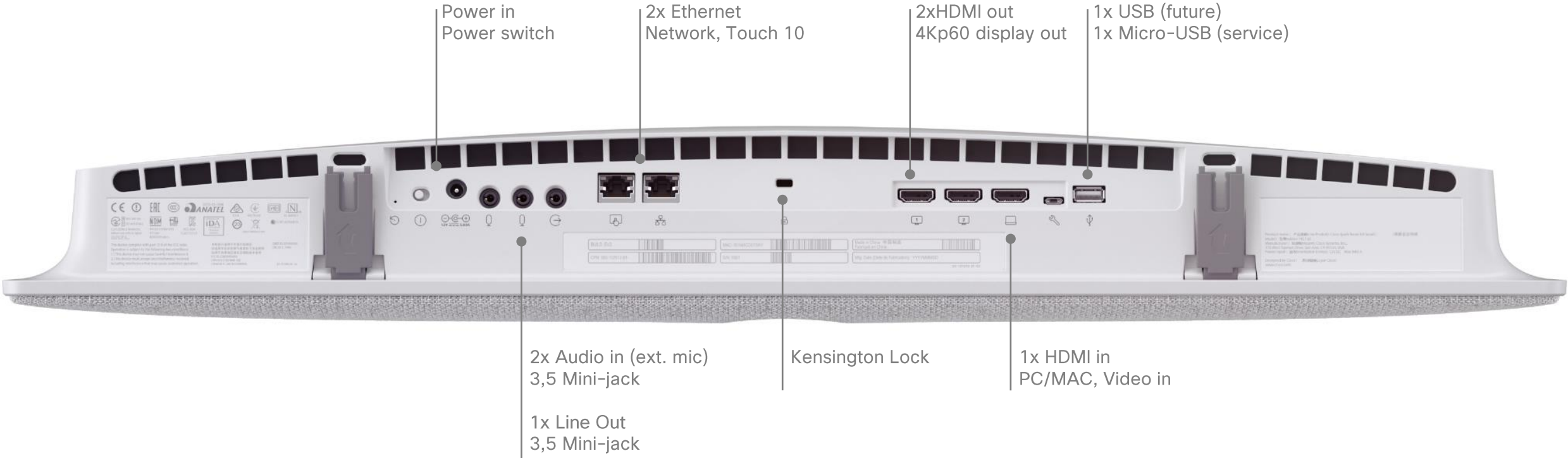
Main and Dual Video Streams

- Dual stream support (presentation channel)
 - 4K (3840x2160) at 5fps
 - 1080p at 30fps
 - 720p at 60fps
- Main video channel
 - 1080p60 maximum. When using speaker tracking, the video is sent at 1080p30

Hardware

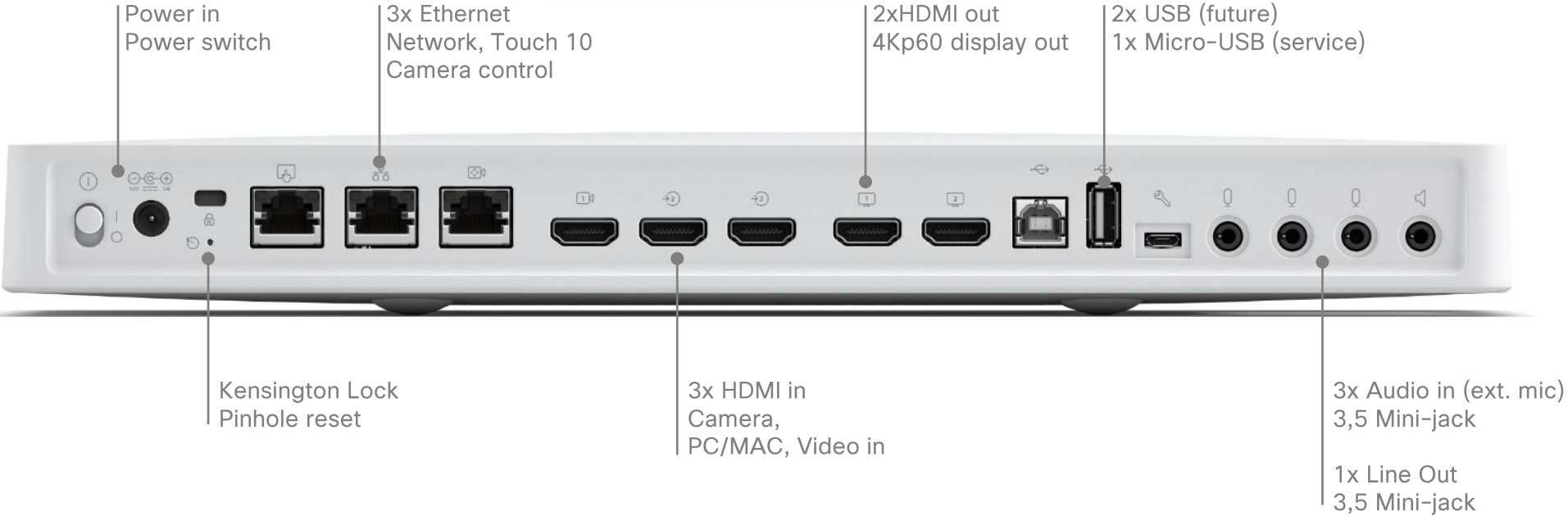
Technical specifications

Cisco Spark Room Kit



Technical specifications

Cisco Spark Room Kit Plus



Tech Specifications

Quad Camera



Mic array and Image processing for SpeakerTrack and BestOverview

4 Fixed lenses, 5K sensor

Overview: 1 x 83 degrees FOV, F=2.0

Zoomed-in/Tele lenses: 3 x 50 degrees FOV, F=2.0

Built-in voice optimized speakers

Line-out for connecting Sub-woofer

Audio Return Channel on HDMI for Audio input from codec

Codec Medium



WiFi connectivity 802.1n/ac Bluetooth 4.0 and Ultrasound proximity

Remote and direct pairing (with PoE) of Touch 10 UI (default)

2x 4Kp60 display HDMI output with CEC - auto config displays

Wireless content sharing

Dual content sharing

3 parallel HDMI video inputs (2 x 4Kp30, 1 x 1080p60)

3x Microphone inputs and Audio line in on all HDMI's

1x Line output and Audio line out on all HDMI's

Configurations

Below the screen



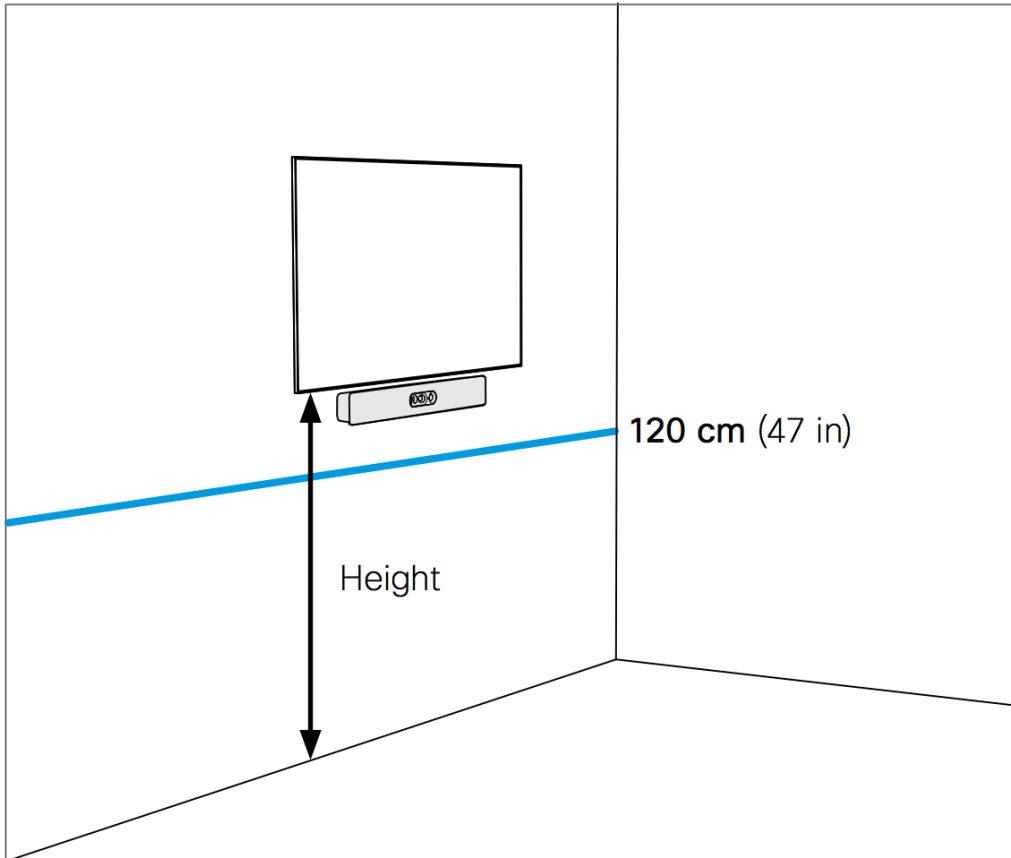
Above the screen



Mounting Height

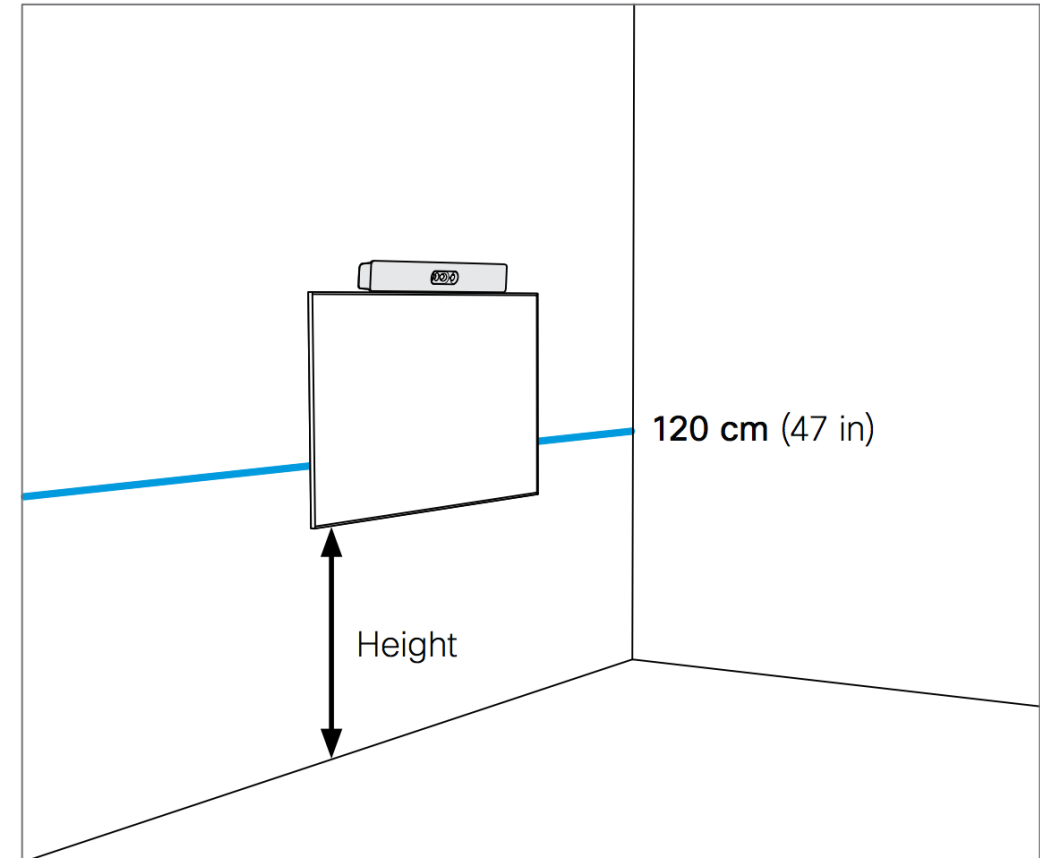
- Room Kit Plus can be mounted above or below the screen. There is no limitation on screen size.

Option 1



If the height is **more** than 120 cm (47 in), mount the camera **below** the screen.

Option 2



If the height is **less** than 120 cm (47 in), mount the camera **above** the screen.

Other resources

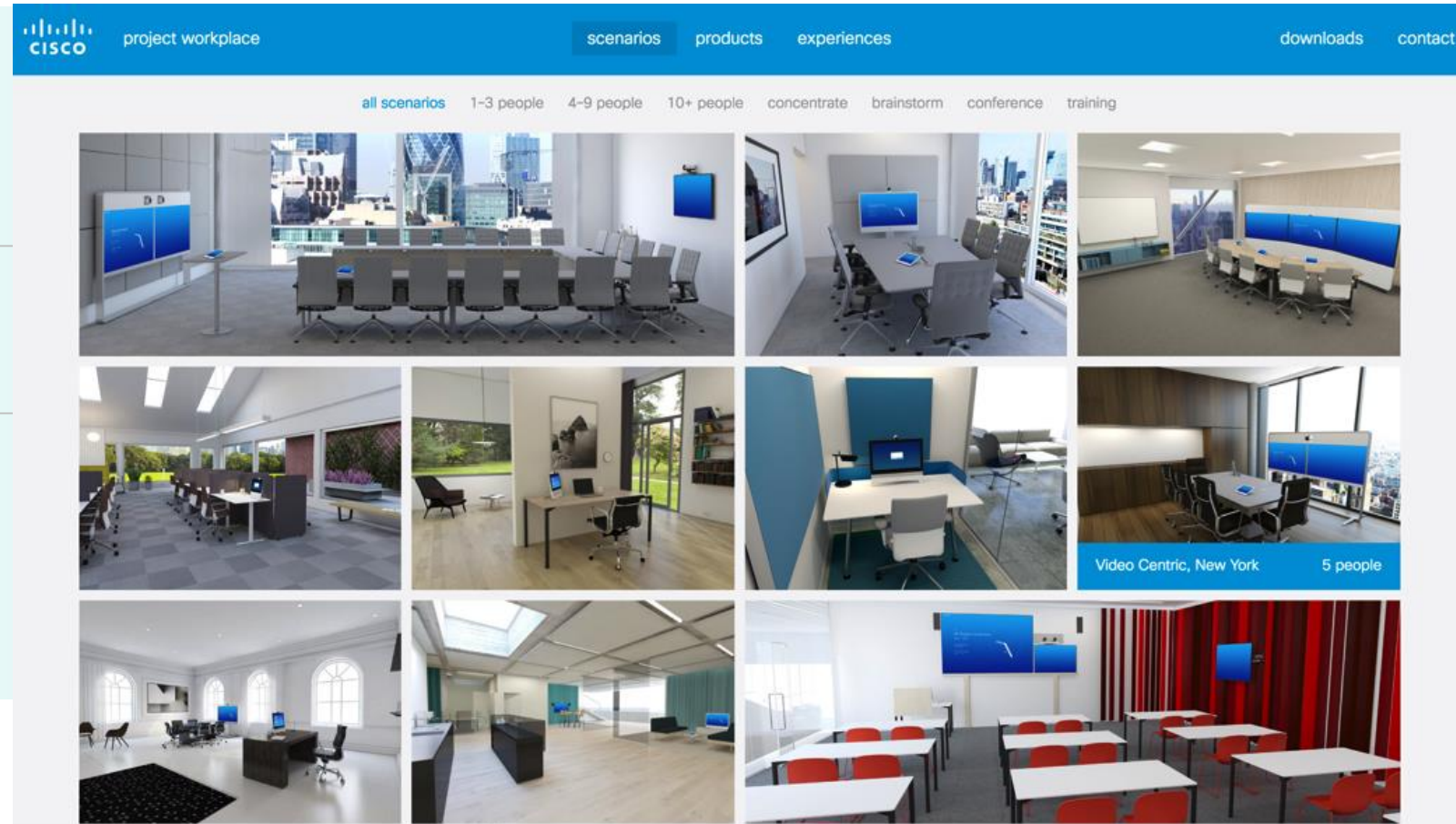
Project Workplace

Video enabling your workspaces



- Visualize spaces
- Optimize video experience
- Increase collaboration

www.cisco.com/go/projectworkplace



For updated Room systems portfolio overview and positioning, check my community post → [here](#)

Includes document with all options (Room and Personal systems) and useful summary/resources

Meeting Room Video Endpoints options (for both on-premises and Spark cloud):

a) All-in-one (codec, camera, displays, speakers)

In case you want all-in-one approach. There are various options: single or dual screens, floor/wheel or wall mounting, speakertrack feature. Some models have also integrated microphones.

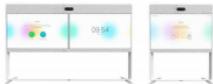
In this category, we have :



Room 55 (55" display) for small/medium rooms * latest addition in portfolio *
[Cisco Spark Room 55 Data Sheet](#)
<https://communities.cisco.com/docs/DOC-75386>
Room 55 offer speaker track feature by default via its digital camera.



MX700 (dual 55 inch display) and MX800 (single or dual 70 inch display) for medium/large rooms
[Cisco TelePresence MX700 & MX800 Data Sheet](#)
MX700 dual screen can be selected with two cameras for speakertrack feature. MX800 single screen can be selected with two cameras for speakertrack feature. MX800 dual screen comes with two cameras for speakertrack feature by default.



Room 70 Single (70" display) and Room 70 Dual (dual 70" display) for medium/large rooms * latest addition in portfolio *
[Cisco Spark Room 70 Data Sheet](#)
Single and Dual display options. Both offered with Speakertrack feature by default via their digital camera.

b) Integration Codec (connects to external display or projector)

In case you want to use to existing display or projector.

In this category, we have :



SX10 quickset for small rooms



Room Kit for small/medium rooms * latest addition in portfolio *

[Cisco Spark Room Kit Data Sheet](#)

Room kit has two HDMI outputs for display connection (one for video and one for presentation). Comes by default with touch panel. It supports by default speaker track (optimum use for rooms up to 6m). Has integrated speakers and microphones (also supports external microphones).



Room Kit Plus for medium/large rooms * latest addition in portfolio *

[Cisco Spark Room Kit Plus Data Sheet](#)

Room kit has two HDMI outputs for display connection (one for video and one for presentation). Comes by default with touch panel. It supports by default speaker track (optimum use for rooms up to 6m). Has integrated speakers. It requires external microphones.



Room Kit Plus with Precision 60 camera for medium/large rooms * latest addition in portfolio *

[Cisco Spark Room Kit Plus Precision 60 Data Sheet](#)

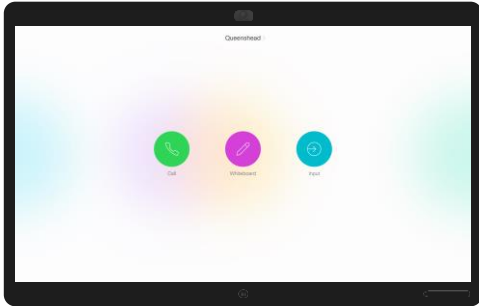
Offers same features as Room Kit Plus (HDMI, speakerphones, ext microphones, etc). Main difference from standard Room Kit Plus offering is that Precision 60 camera provides maximum flexibility in scenarios where you need special camera placement, objects close up, or wide pan/tilt/zoom capability. But it does not support Speakertrack feature.



Sx20N-P40 quickset for small/medium rooms and SX20N-12x quickset for medium/large rooms

Cisco Red Dot Design Award Winners 2017

Cisco Spark Board



reddot award 2017
best of the best

Cisco Spark Room 55



reddot award 2017
winner

Cisco Spark Room Kit



reddot award 2017
winner

Cisco Spark Quad Camera



reddot award 2017
winner

Cisco Spark Codec Plus



reddot award 2017
winner



