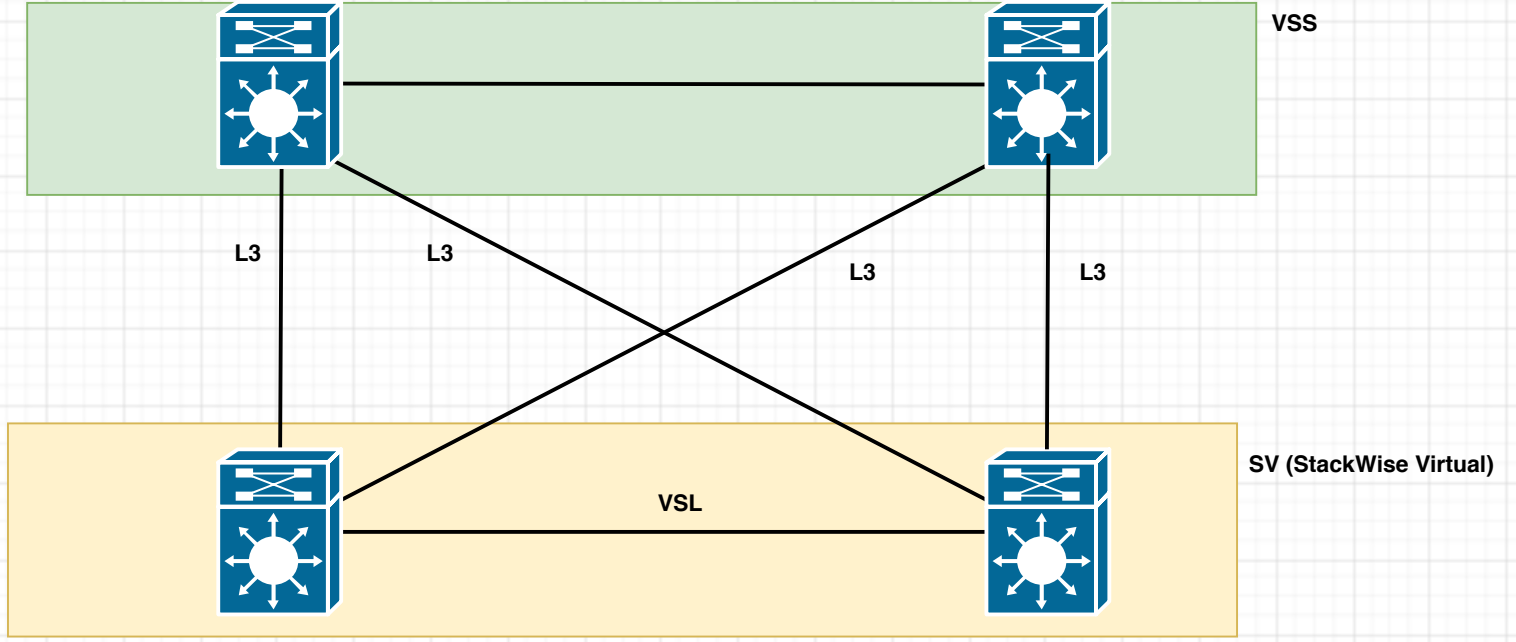


Option #1



Option #2

