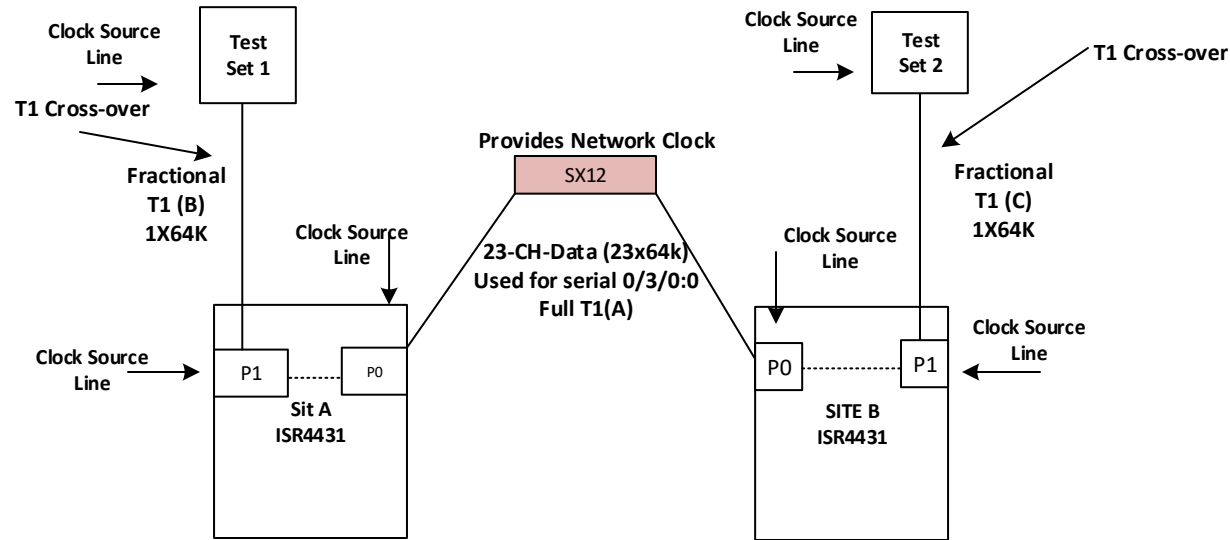


Design Goal:

Take channel 24 from Frac-T1(B) Site A, and Drop and insert it on channel 24 T1(A) Site A and then send it across Full T1 (A) to Site B and then Drop/and insert Channel 24 to Frac-T1 (C) Channel 24 .



```

controller T1 0/3/0
framing esf
linecode b8zs
cablelength long 0db
channel-group 0 timeslots 1-23
tdm-group 2 timeslots 24
!
controller T1 0/3/1
framing esf
linecode b8zs
cablelength long 0db
tdm-group 3 timeslots 24
!
connect GCN T1 0/3/0 2 T1 0/3/1 3
    
```

```

controller T1 0/3/0
framing esf
linecode b8zs
cablelength long 0db
channel-group 0 timeslots 1-23
tdm-group 2 timeslots 24
!
controller T1 0/3/1
framing esf
linecode b8zs
cablelength long 0db
tdm-group 3 timeslots 24
!
connect GCN T1 0/3/0 2 T1 0/3/1 3
    
```