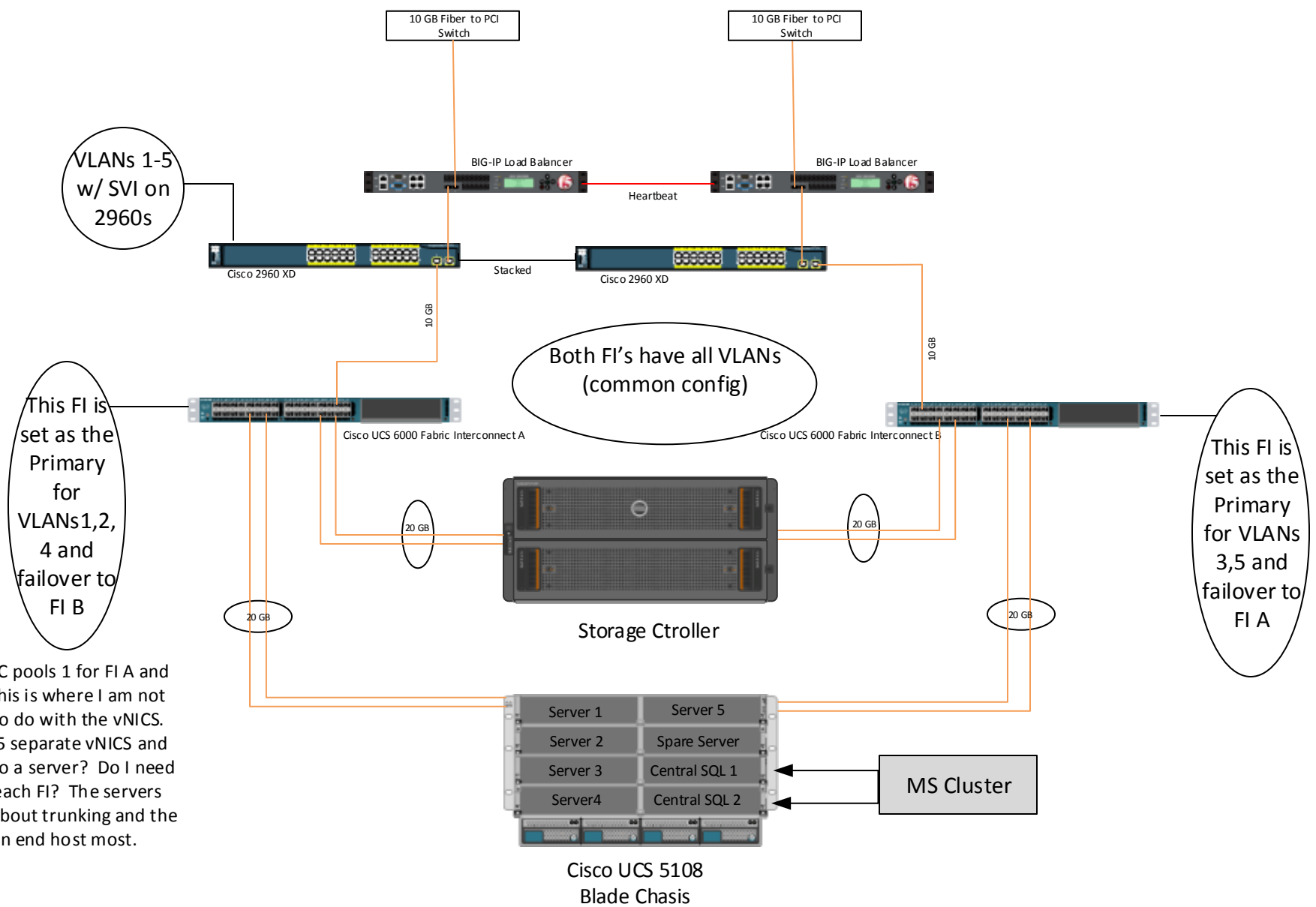


## PCI High Availability Architecture



I have 2 MAC pools 1 for FI A and for B. But this is where I am not sure what to do with the vNICs. Do I create 5 separate vNICs and assign each to a server? Do I need a vNIC for each FI? The servers don't know about trunking and the FI's are in end host most.

Cisco UCS 5108 Blade Chassis