

Cisco TelePresence System EX90



INSTALLATION GUIDE



EX90 is delivered with:

- EX90 unit
- Touch screen with cable
- Handset base with cable
- Handset
- AC adapter and power cable
- DVI-D to DVI-I cable (recommended for optimal PC image quality)
- VGA to DVI-I cable
- Stereo audio cable 3.5 mm
- Ethernet cable
- Screwdriver
- Cleaning cloth

User documentation

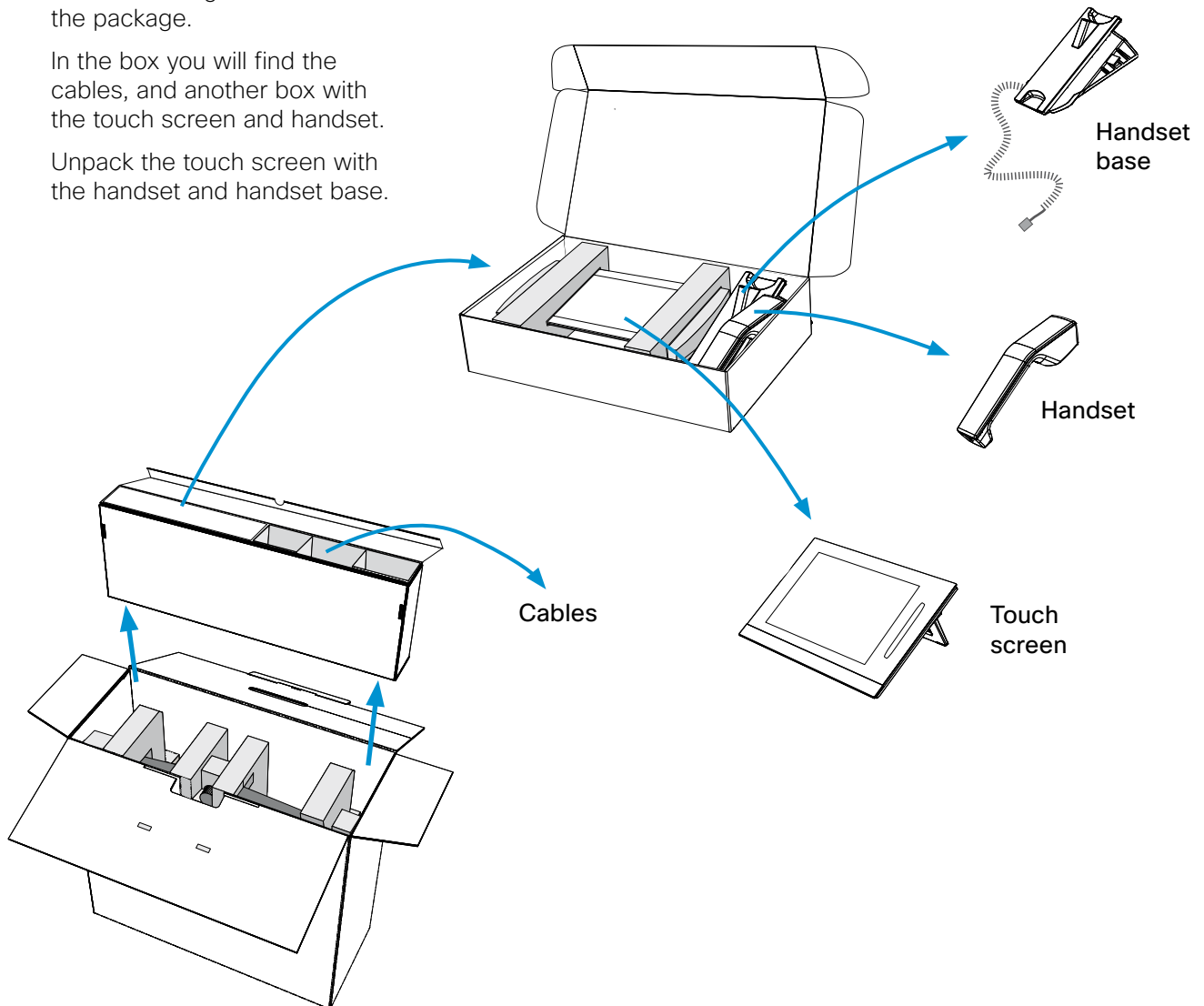
User guides and compliance and safety information for this product are available at the Cisco web site: <http://www.cisco.com/go/ex-docs>

1 Unpacking the touch screen and cables

Lift the rectangular box out of the package.

In the box you will find the cables, and another box with the touch screen and handset.

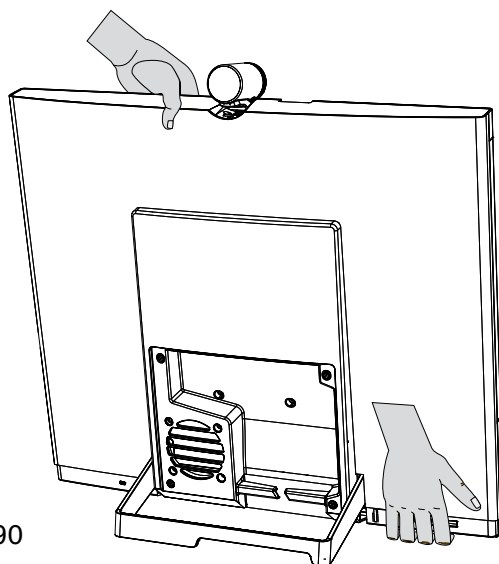
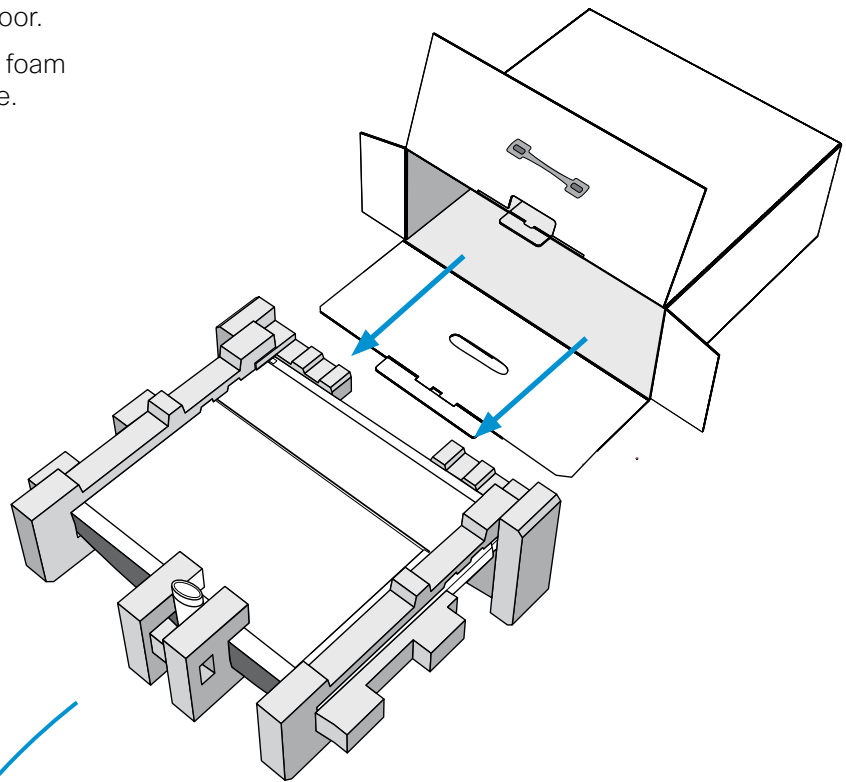
Unpack the touch screen with the handset and handset base.



2 Unpacking the EX90 unit

Lay the package flat on the floor.

Pull the EX90, surrounded by foam protection, out of the package.



EX90

Carefully loosen the foam protection.

Lift the EX90 and place it on a firm surface.

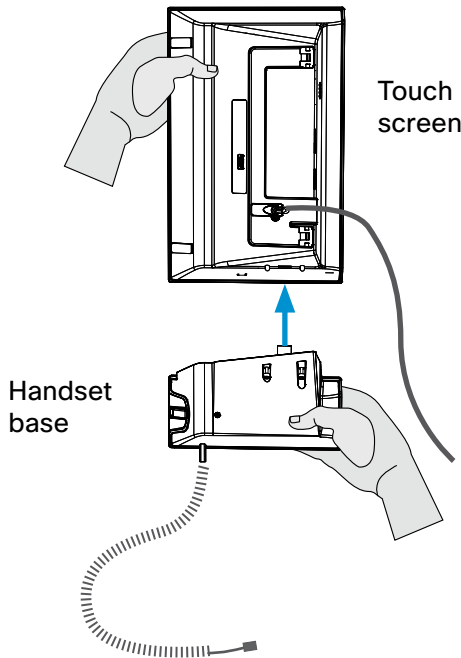
Weight: 14 kg / 31 lb

3 Optional: Mounting the handset

Tool: Screwdriver

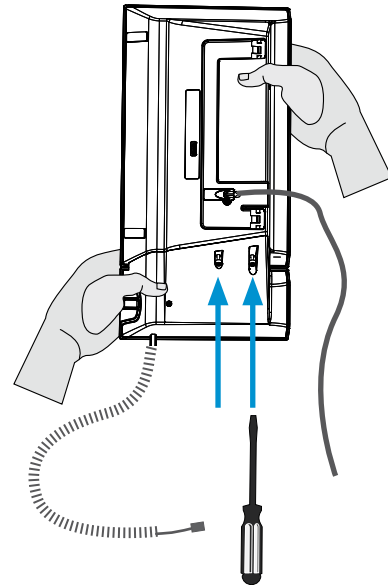
A Hold the touch screen and the handset base in an upright position.

Move the two units together. Make sure the connector on the handset base slides into the corresponding hole on the touch screen.

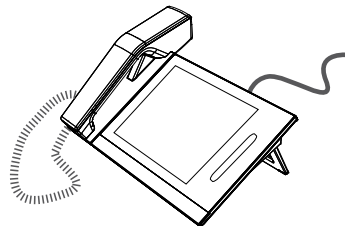


B Fasten the two units together. The screws are pre-mounted in the handset base.

Use the screwdriver and fasten the screws at the handset base from the underneath.



C Connect the handset to the handset base, and connect the handset cable.



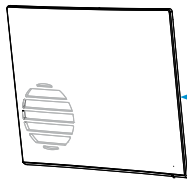
EMC Class A declaration

This is a class A product. In a domestic environment this product may cause radio interference in which case the user may be required to take adequate measures.

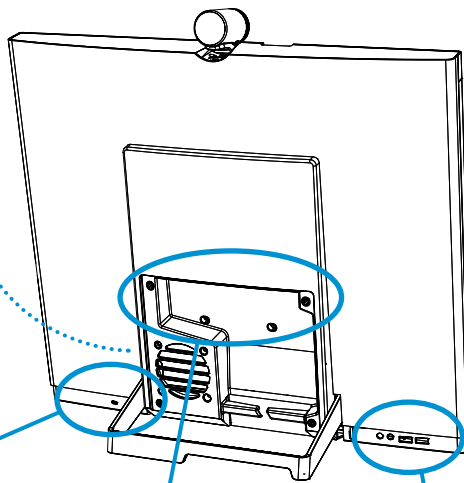
声明

此为A级产品，在生活环境中，该产品可能会造成无线电干扰。在这种情况下，可能需要用户对其干扰采取切实可行的措施。

4 System overview and basic setup



Remove the cover to get access to the connectors at the rear side.



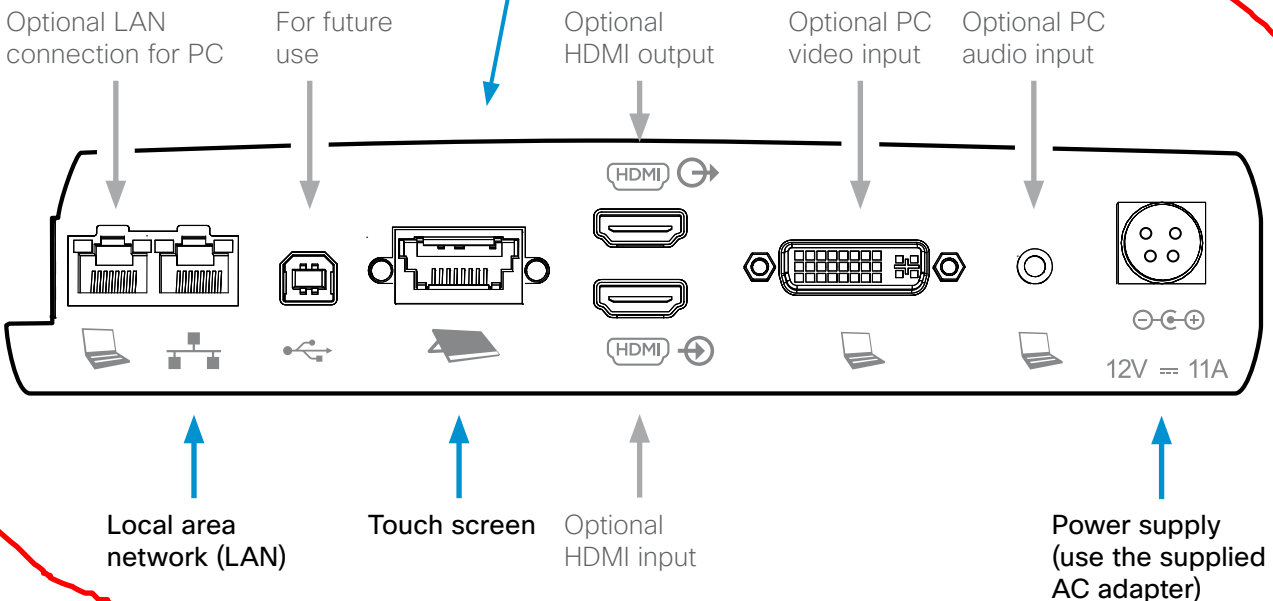
Kensington lock

You may connect an external microphone and a headset to your system (not provided).

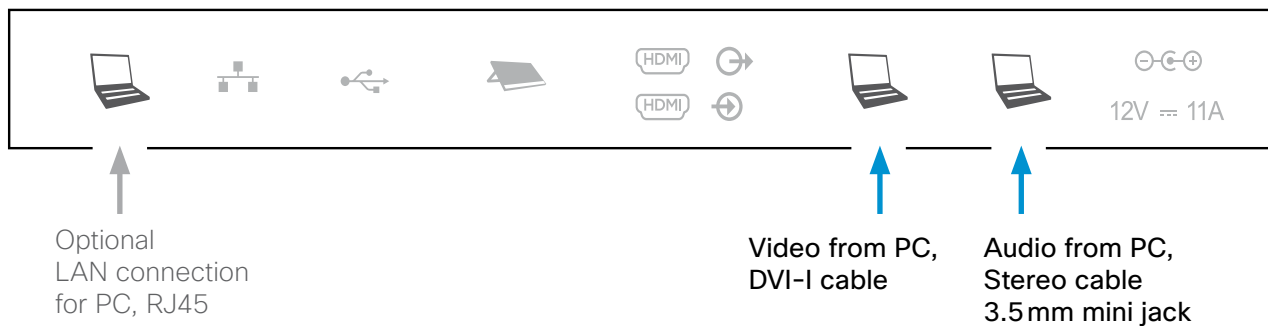


Micro-USB Headset 2 x USB

Connect the touch screen, LAN and power as illustrated. To connect a PC, see more details in step 5.



5 Connecting a PC



Audio and video input from PC

Connect the audio and video cables from the PC. We recommend using the DVI-D to DVI-I video cable for optimal PC image quality.

The cables are in the rectangular box, see illustration in step 1.

Optional LAN connection for PC

If you have a single LAN wall outlet only, you may connect your PC to the second RJ45 socket of the EX90 (labelled with a PC symbol). Your PC and the EX90 will then share the LAN connection.

6 Starting the system

