



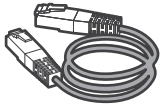
Cisco DX80

INSTALLATION GUIDE

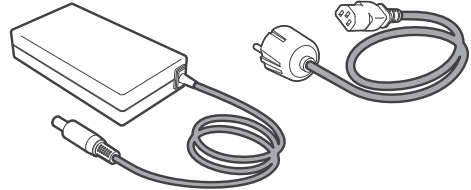


Accessories

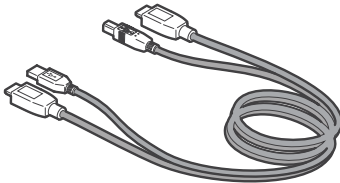
A Ethernet cable (2.9 m/9.5 ft)



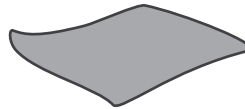
B Power adapter and regional power cable



C HDMI/USB cable (2 m/6.56 ft)



D Cleaning cloth



Always use the provided Lite-On PA-1600-2A-LF power supply (input: 2 A, 100-240 V, 50-60Hz; output: 5.0A, 12.0V) or FSP075-DMAA1 (input: 1.2 A, 100-240V, 50-60Hz; output: 6.5A, 12.0V).

Optional Accessories

- VESA adapter and wall mount kit

User Guides



For user guides and compliance and safety information for this product, go to:
<http://www.cisco.com/go/dx-docs>

Room Setup

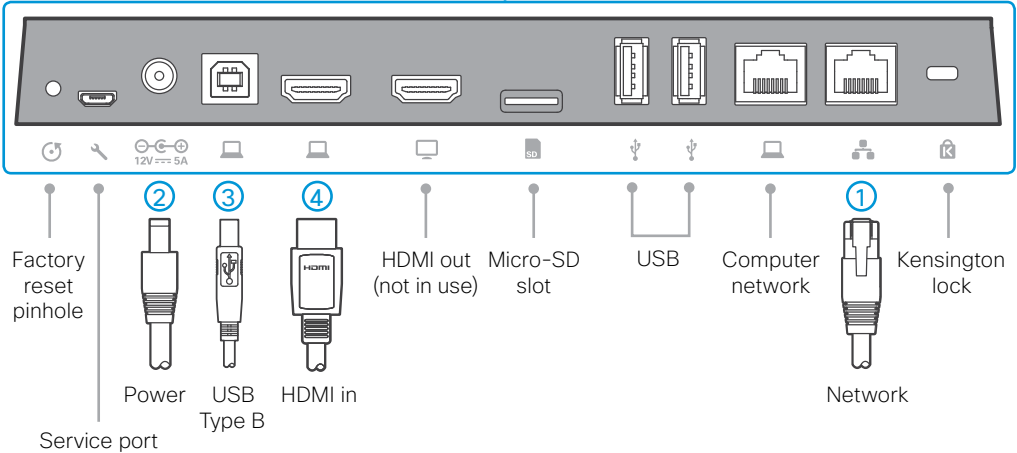
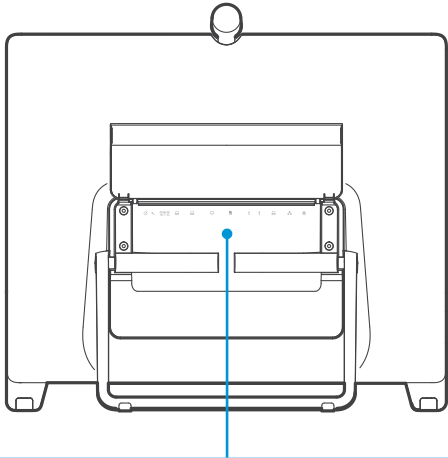


For more information on how to set up your room for the best video experience, visit the Project Workplace tool at <http://www.cisco.com/go/projectworkplace>

Connect Cables

1. Place the DX80 face down on a flat surface to connect the cables. Do not exert force on the camera as this may damage it.
2. Flip the connector cover up to access the connector panel and lead the cables under the strain relief bar.
3. Connect the Ethernet cable (A) between the network connector ① and a network wall socket.
4. Connect the provided power adapter and cable (B) between the DX80 ② and a power socket.
5. Pull the foot stand, set the DX80 in an upright position and adjust the angle. The foot stand is stiff to open at first.

To use the same network wall socket for both your computer and DX80, connect your computer to the computer network port on the DX80, and the DX80 to the network wall socket (see step 3).



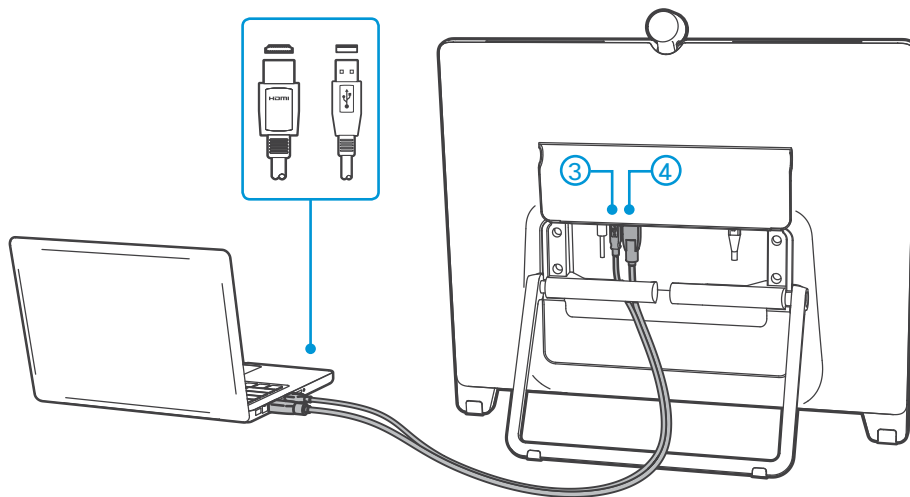
Start the System

1. Push the power button to start up the DX80. The power button's LED lights up when the device starts up.
2. Follow the on-screen instructions to set up the system.

For more information on how to set up the system, see the Administrator Guide at <http://www.cisco.com/go/dx-docs>

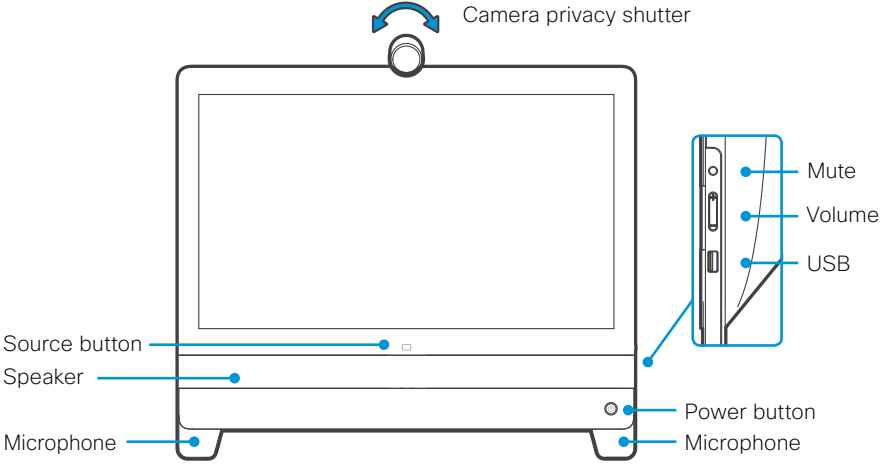
Connect to Computer

Connect your computer to the DX80 to use it as an external monitor and to enable content sharing.



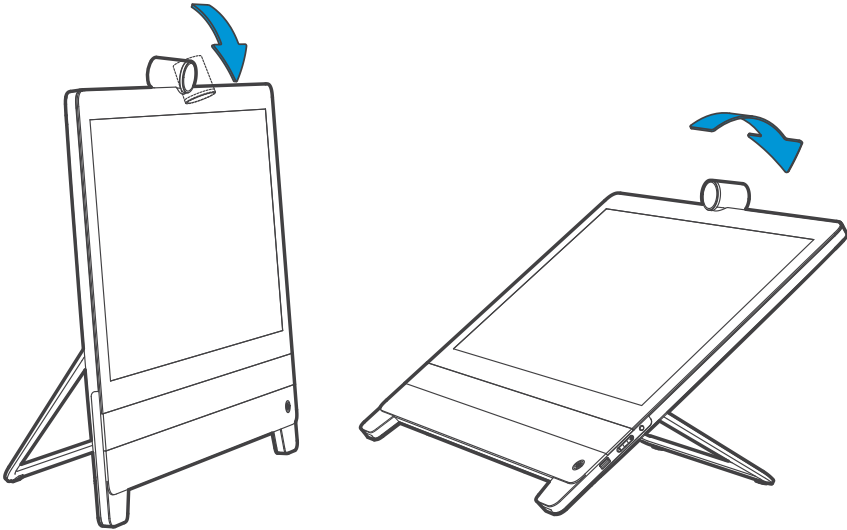
1. Connect the HDMI-USB bundle (C) to the USB Type B (3) and the HDMI (4) connectors on the DX80.
2. Connect the USB and HDMI connectors on the other end to the computer. You may need an adapter (not provided) for the HDMI cable, depending on the connectors available on your computer.

Front and Side Panels



Turn the privacy shutter to switch the camera on and off.
Use the Source button to show and hide your computer screen when a computer is connected to the DX80.

Adjust Camera and Stand



You can tilt the camera to adjust the camera angle and to activate the document camera feature.
Adjust the foot stand to take advantage of the extended tilt of the touch screen.



On our web site you will find an overview of the
worldwide Cisco contacts.

Go to: <http://www.cisco.com/web/siteassets/contacts>

Corporate Headquarters
Cisco Systems, Inc.
170 West Tasman Dr.
San Jose, CA 95134 USA

Cisco and the Cisco logo are trademarks or registered trademarks of Cisco and/or its affiliates in the U.S. and other countries. To view a list of Cisco trademarks, go to this URL: www.cisco.com/go/trademarks. Third-party trademarks mentioned are the property of their respective owners. The use of the word partner does not imply a partnership relationship between Cisco and any other company. (1110R)