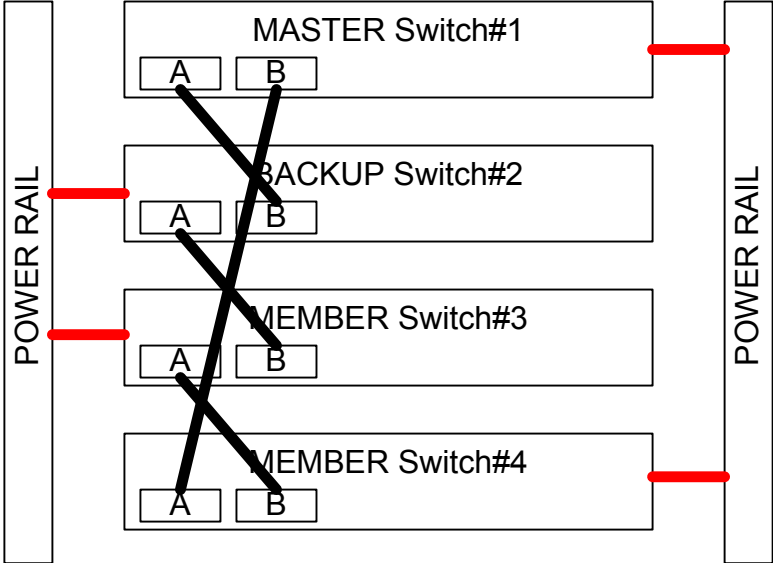


EXISTING SETUP



NEW SETUP