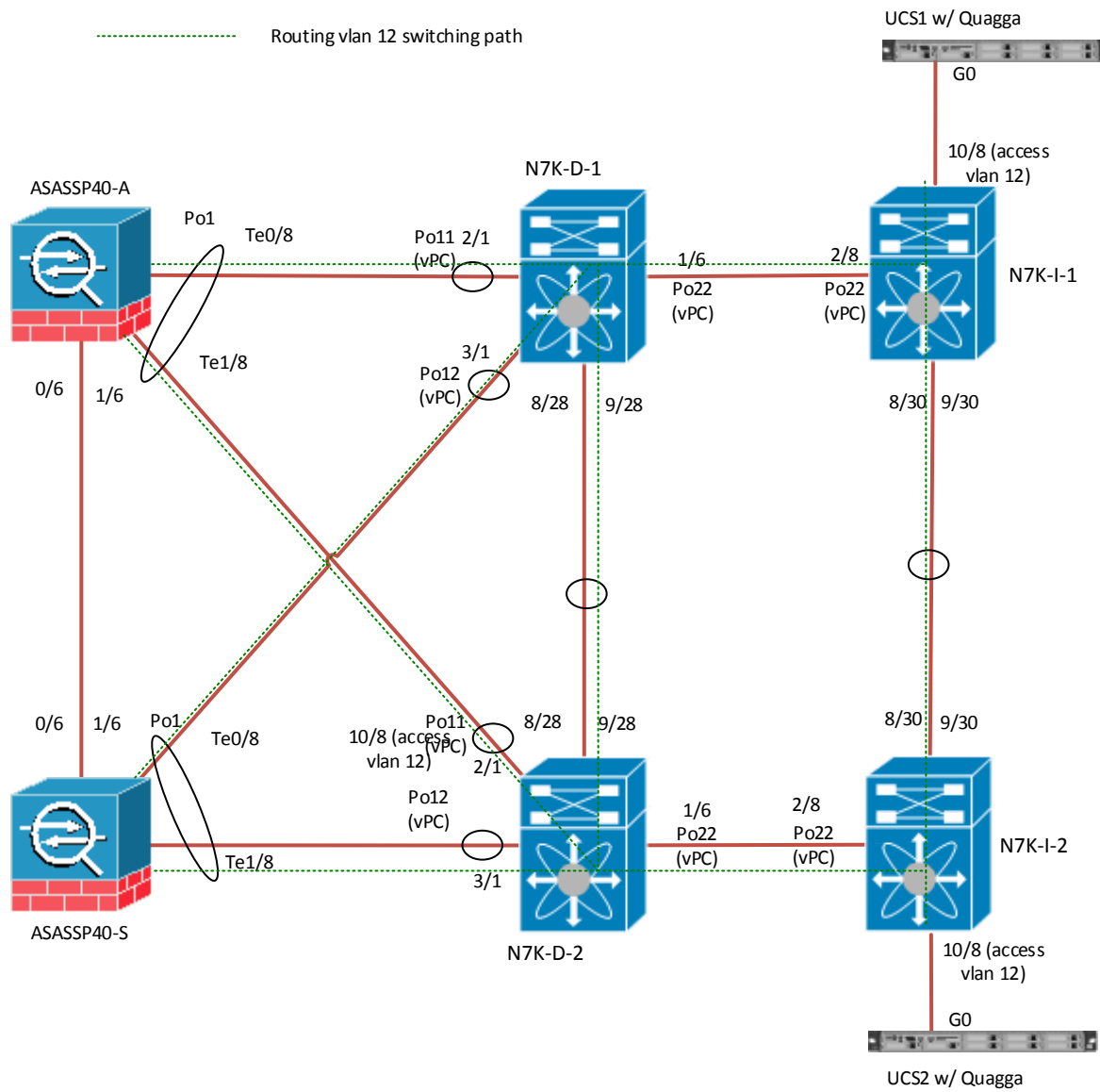


L1-2 diagram



L3 diagram

