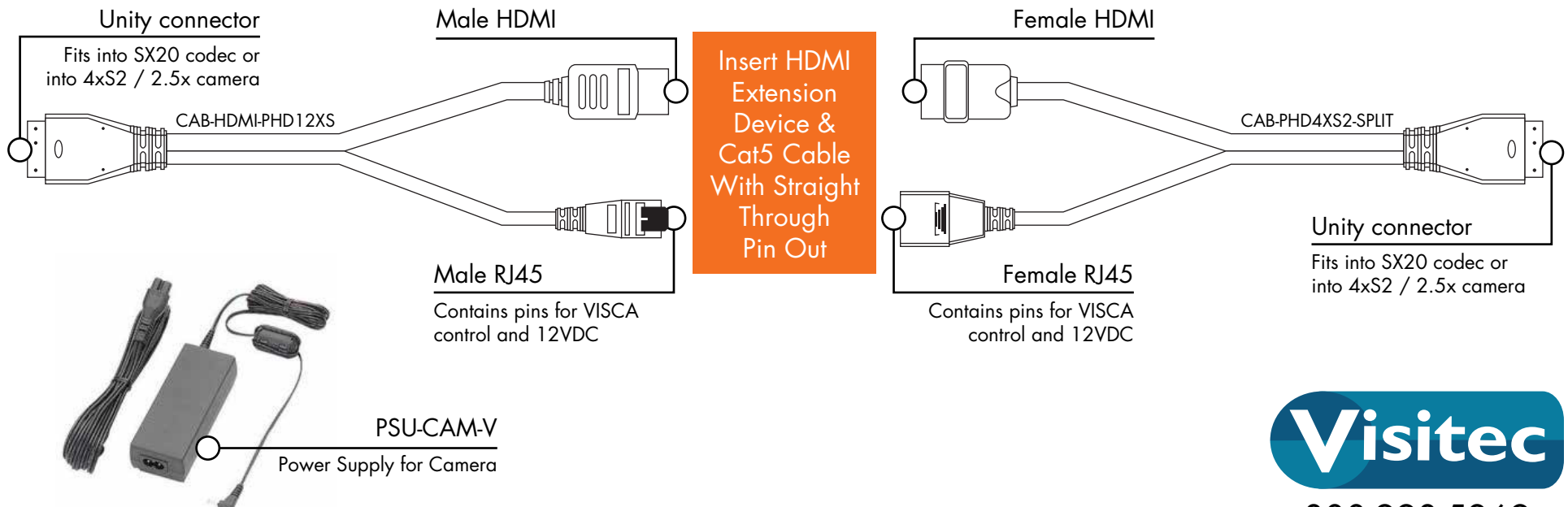


# Extending the Cisco 4xS2 or 2.5x PHD Camera - Option 1

Use to extend a 4X or 2.5X camera. CAT 5e cable has been tested for control up to 10 meters.  
The 2.5X camera will receive power over this same CAT 5e. The 4X camera requires a separate PSU for cable lengths over 6 meters (PSU-CAM-V)  
Extend HDMI using AV industry best practices.

- Requires 1 each CAB-HDMI-PHD12XS
- Requires 1 each CAB-PHD4XS2-SPLIT
- Requires 1 each PSU-CAM-V Power Supply



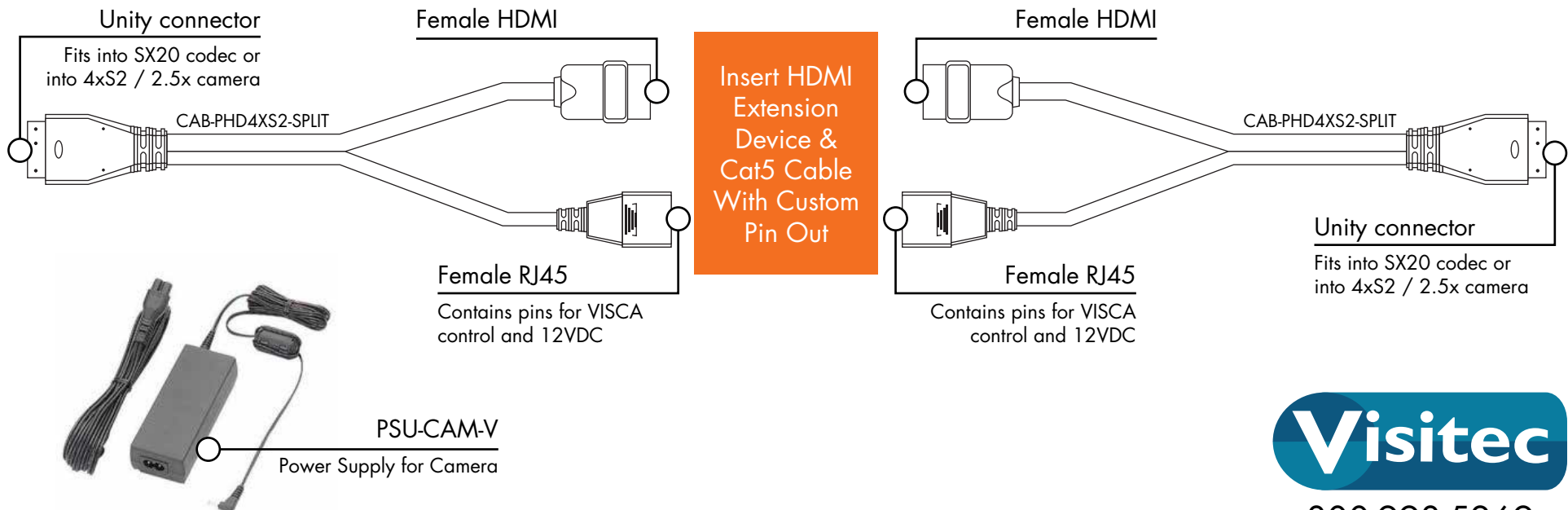
800-998-5269

# Extending the Cisco 4xS2 or 2.5x PHD Camera - Option 2

Use two of these to extend a 4X or 2.5X camera. CAT 5e cable has been tested for control up to 10 meters. Extend HDMI using AV industry best practices. Using a straight through cable requires custom pin-out to properly match transmit and receive. Camera was locally powered.

CAT-5e RJ-45 (8 pin)	RJ45 pin	1	2	3	4	5	6	7	8
Custom Pin-out	RJ45 pin	X	2	6	4	5	3	7	X

Requires 2 each CAB-PHD4XS2-SPLIT  
 Requires 1 each PSU-CAM-V Power Supply



800-998-5269