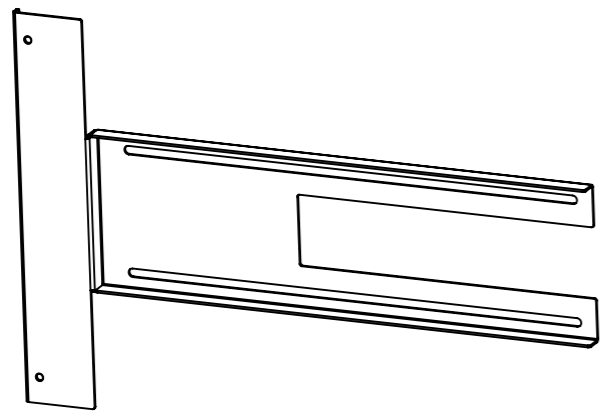
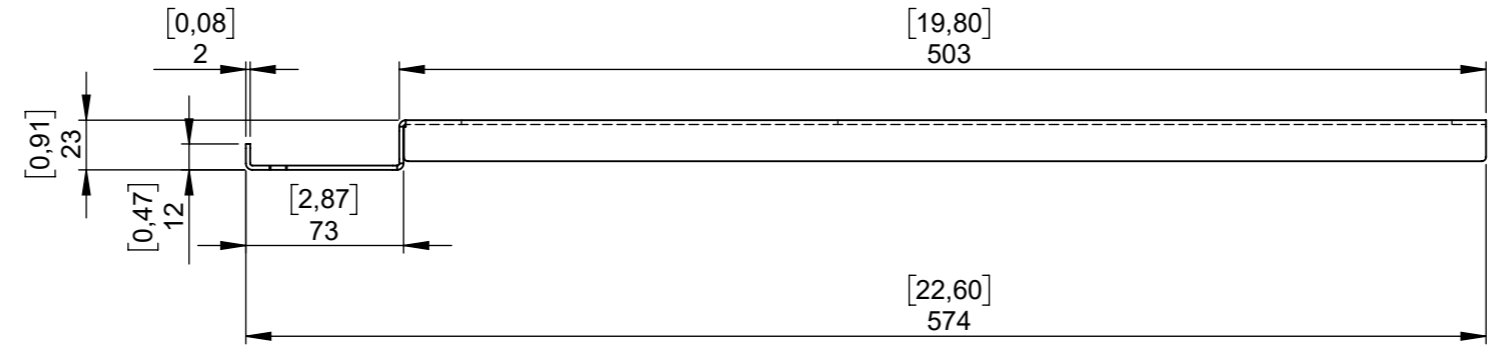
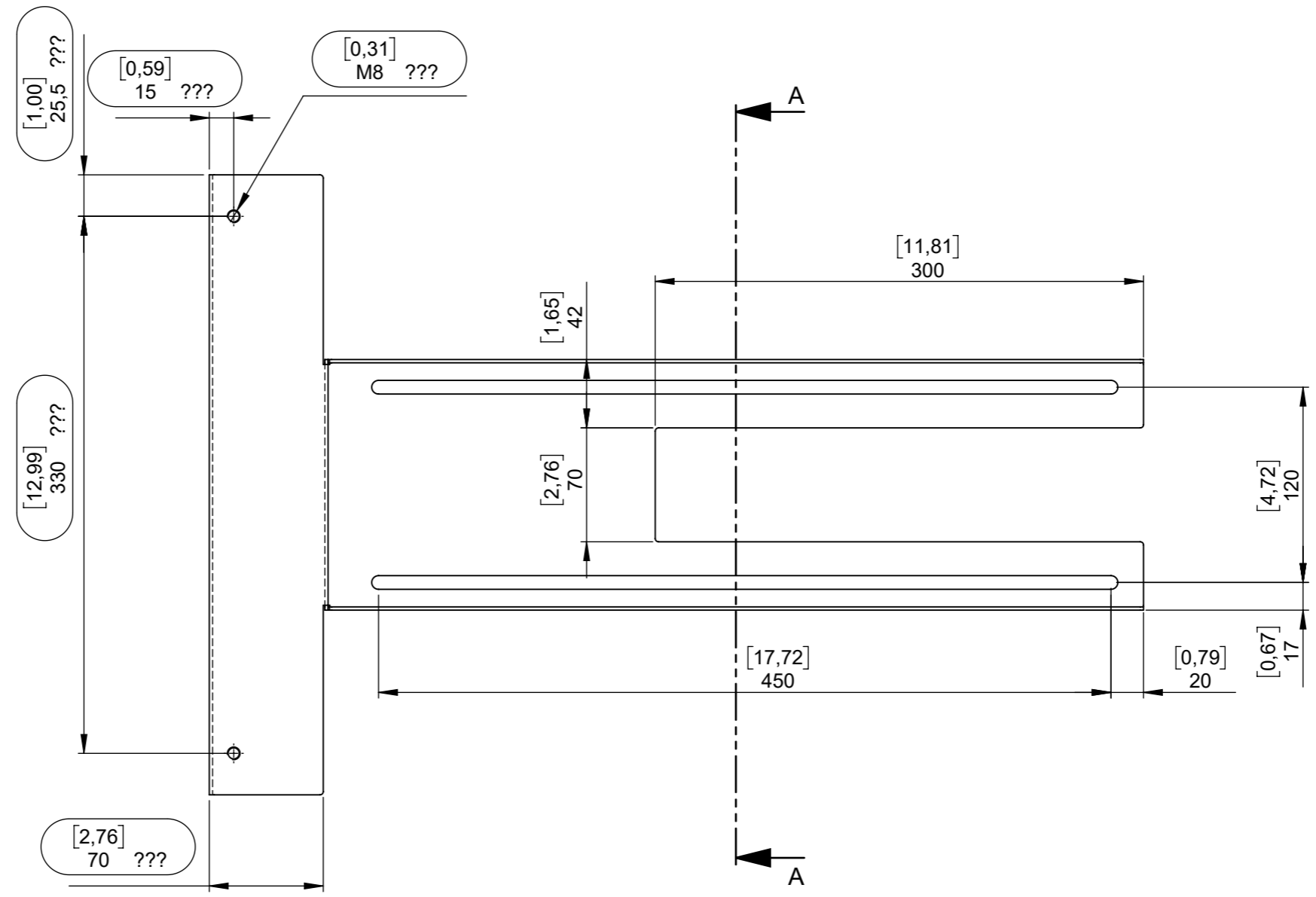
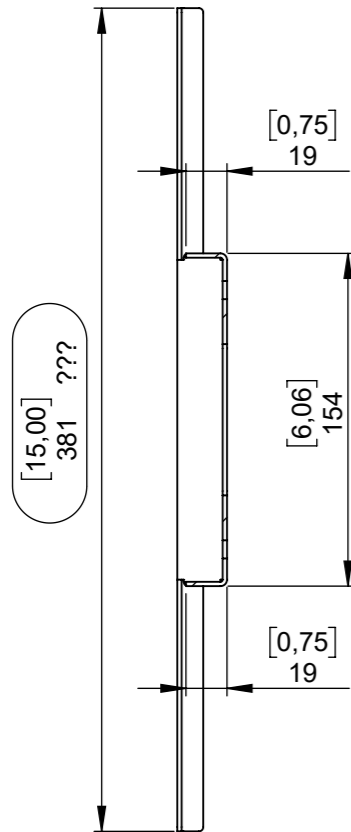




This document and its contents are the exclusive property of Smart Media Solutions AB and must not be copied, reproduced, transmitted or communicated to any other party or used for purposes not expressly permitted by us.

SECTION A-A
SCALE 1 : 3.5



 	Designed by Darko	Date 2012-11-14	Title/Description Bend Plate, Cisco Spark
	Drawn by Darko	Date 2017-11-17	
Material EN S235JR		Approved by	Date
Status Prototype		Drawing no P024188	
General tolerances acc. to: ISO 2768-1 m		Scale 1:5	Rev 01
Format A3	Sheet 1/1	Rev Part 01	Thickness t=2
		Rev 01	