



Spare Parts Replacement Guide

for Cisco TelePresence MX800 Dual

Thank you for choosing Cisco!

Your Cisco product has been designed to give you many years of safe, reliable operation.

This part of the product documentation describes how to replace spare parts. Our main objective is to address your goals and needs. Please let us know how well we succeeded!

May we recommend that you visit the Cisco web site regularly for updated versions of this guide.

The user documentation can be found on <http://www.cisco.com/go/mx-docs>

How to use this guide

The top menu bar and the entries in the table of contents are all hyperlinks. You can click on them to go to the topic.

Table of contents

Introduction	3
Grilles and covers	6
Replace speaker grille and lower grille	7
Replace floor stand covers.....	8
Replace side covers	9
Replace center top profile, camera cover and center back cover	10
Speakers and cameras	13
Replace a loudspeaker	14
Replace dual camera module.....	16
Codec and monitors	23
Replace codec	24
Replace PoE injector	28
Replace monitor (mounted on a stand)	30
Replace monitor (wall mounted).....	37
Appendix	46
Part numbers for spare parts	47
Cisco contacts	48



Introduction

Products covered in this guide:

- Cisco TelePresence MX800 Dual

MX800 Dual has three mounting options: free standing floor stand, floor stand secured to the wall, and wall mount.

About this guide

This guide describes how to replace spare parts for MX800 Dual.

The guide describes the steps required to remove the parts. In order to install the replacement part, you should follow the same steps in reverse order.

In addition to this *Replacement guide*, the following documents are particularly useful when replacing parts.

- Cable schema
- Spare part list
- Installation guide(s)

These documents are available at the Cisco web site. go to <http://www.cisco.com/go/mx-docs> and select *Maintain and Operate Guides* or *Install and Upgrade Guides*.

Ordering information

To place an order, please contact your local Cisco representative or Cisco partner and refer to part numbers as listed in this document.

Cisco service and support

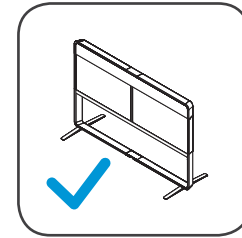
Cisco and our partners provide a broad portfolio of smart, personalized services and support. For more information about these services, go to: <http://www.cisco.com/go/telepresenceservices>

Symbols

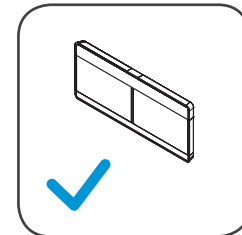
This guide covers both MX800 Dual mounted on a floor stand and wall mounted.

The following symbols are used throughout the guide to indicate which mounting option(s) a procedure applies to.

This procedure applies to the stand options (both free standing and secured to the wall).



This procedure applies to the wall mount option.



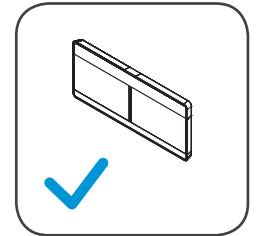
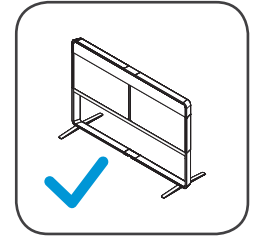
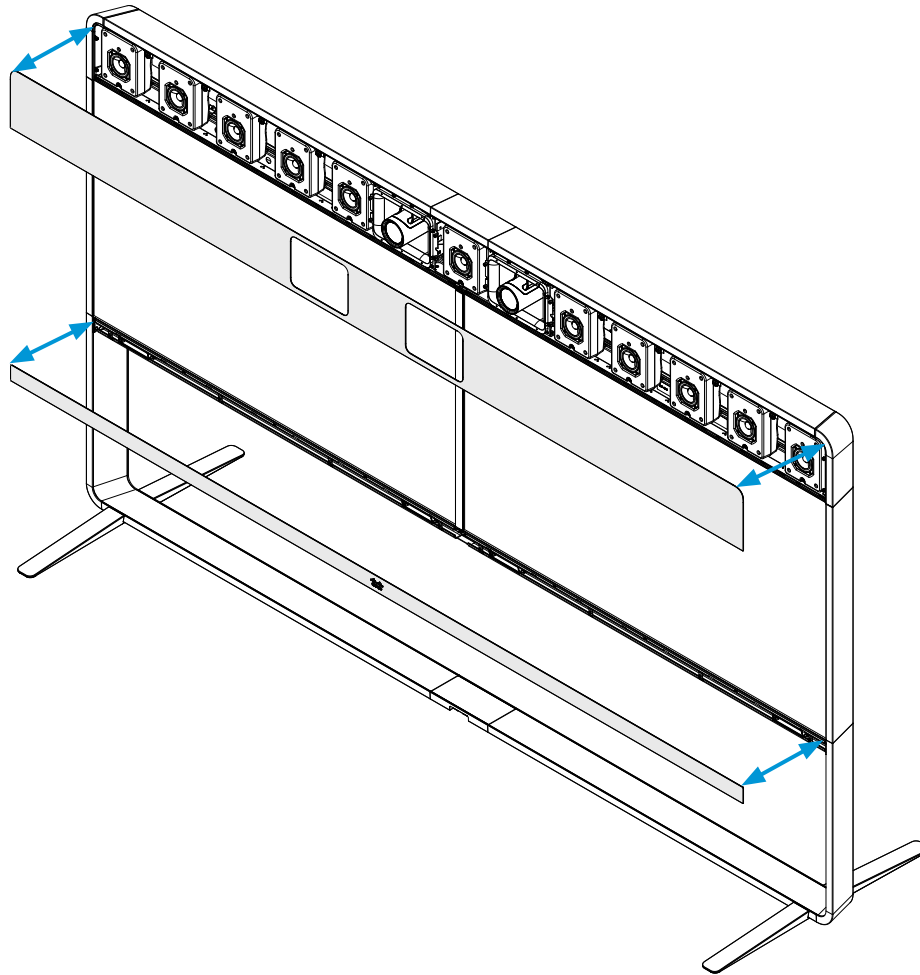
Grilles and covers

Replace speaker grille and lower grille.....	7
Replace floor stand covers.....	8
Replace side covers.....	9
Replace center top profile, camera cover and center back cover	10

Replace speaker grille and lower grille

 Use clean gloves when handling the textile grilles.

The grilles are fastened with magnets.
Pull out gently to remove a grille.



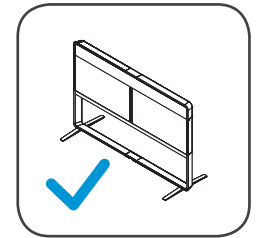
Re-assembly:

The grilles snap to the magnets when put back in place.

Spare parts:

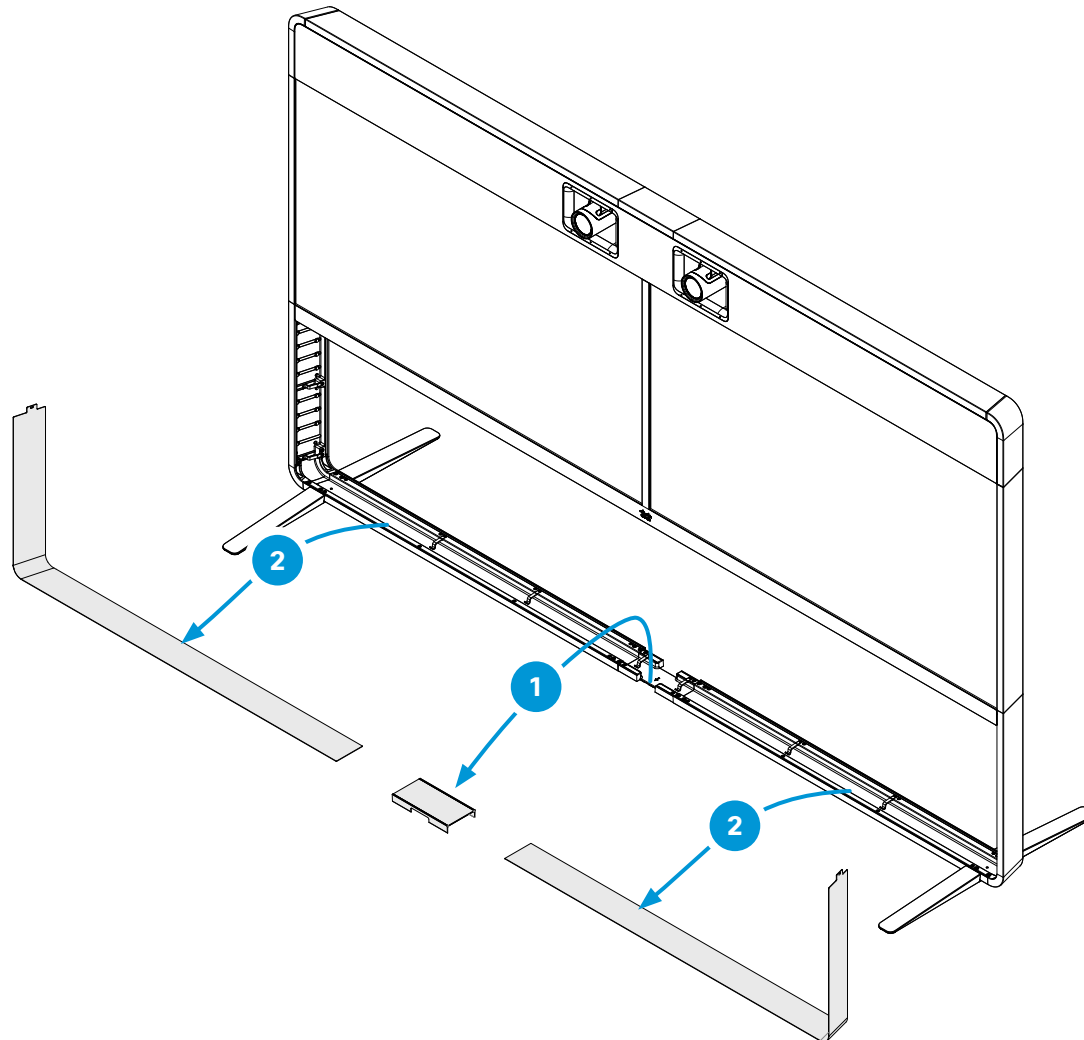
- Speaker grille: CTS-MX800-DDC-TGR=
- Lower grille for systems mounted on a stand: CTS-MX800-D-LGR=
- Lower grille for wall-mounted systems: CTS-MX800-DWM-LGR=

Replace floor stand covers



The center cover is click-fastened. Lift up to remove the cover.

The left and right covers are fastened with magnets. Pull out gently to remove the covers.



Re-assembly:

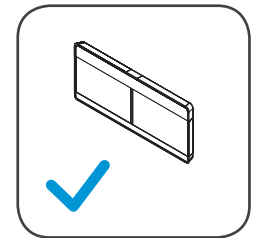
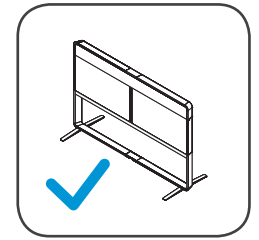
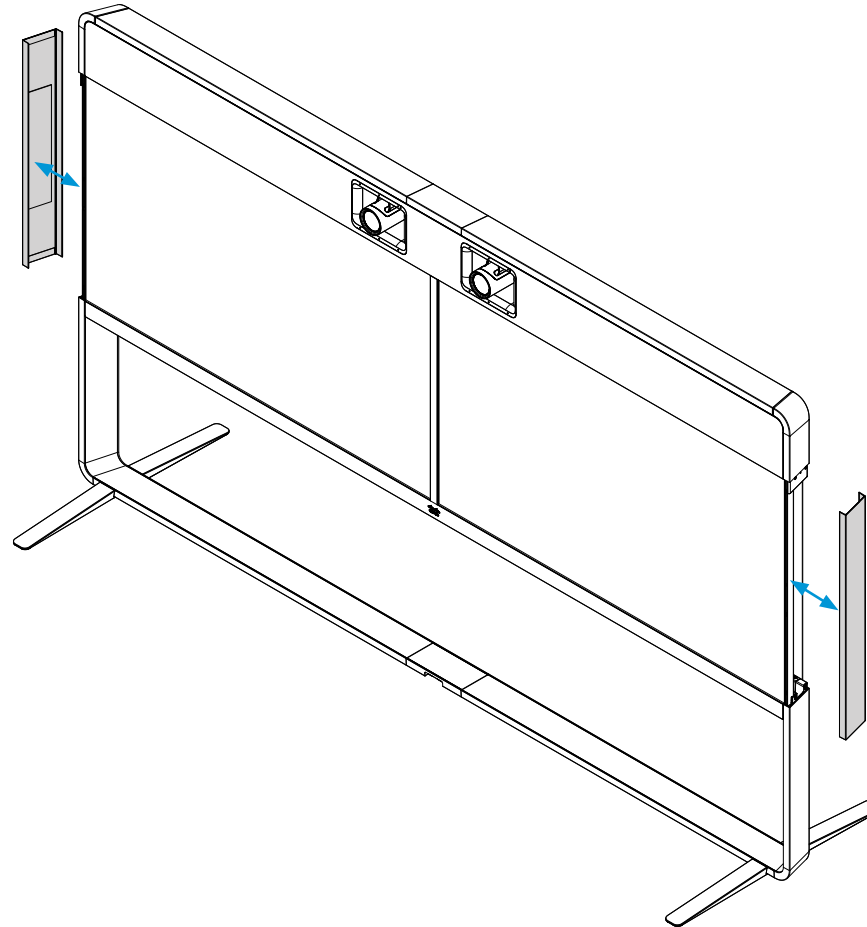
The left and right covers snap to the magnets when put back in place. The center cover click-fastens when put back in place.

Spare part:

- CTS-MX800-D-FSK=

Replace side covers

The covers are fastened with magnets.
Pull out gently to remove the covers.



Re-assembly:

The covers snap to the magnets when put back in place.

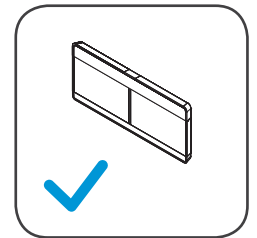
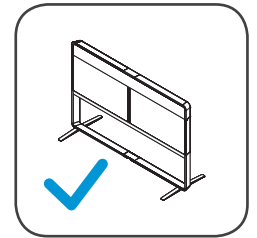
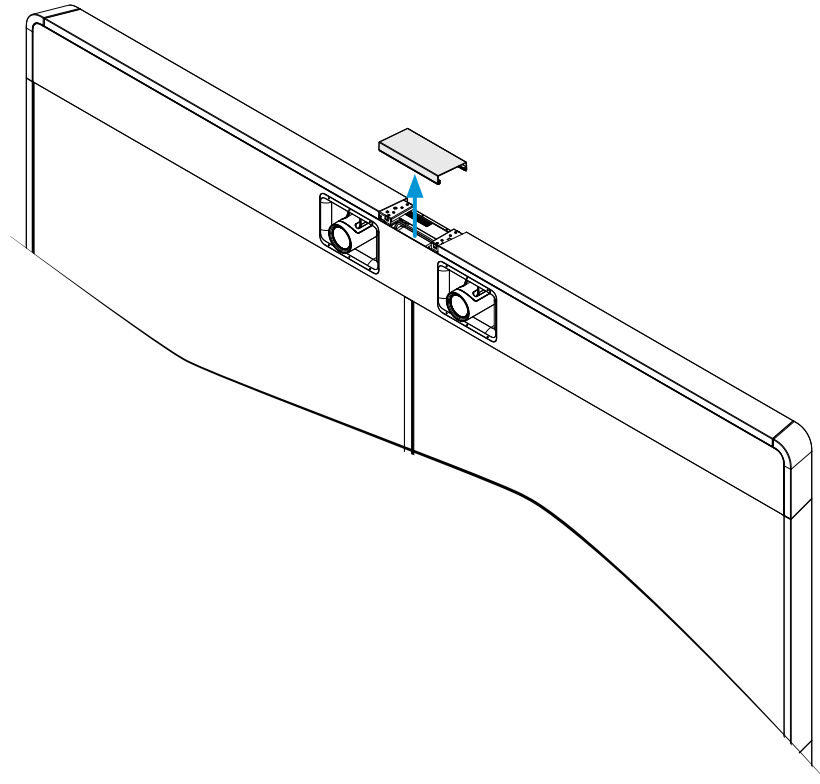
Spare part:

- CTS-MX800-MON-SCV=

Replace center top profile, camera cover and center back cover (page 1 of 3)

Step 1: Remove the center top profile

The center top cover is click-fastened. Pull out gently.



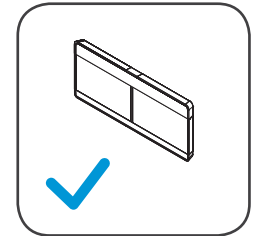
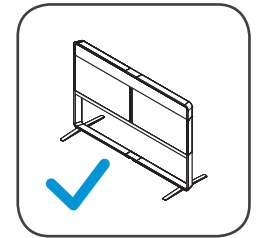
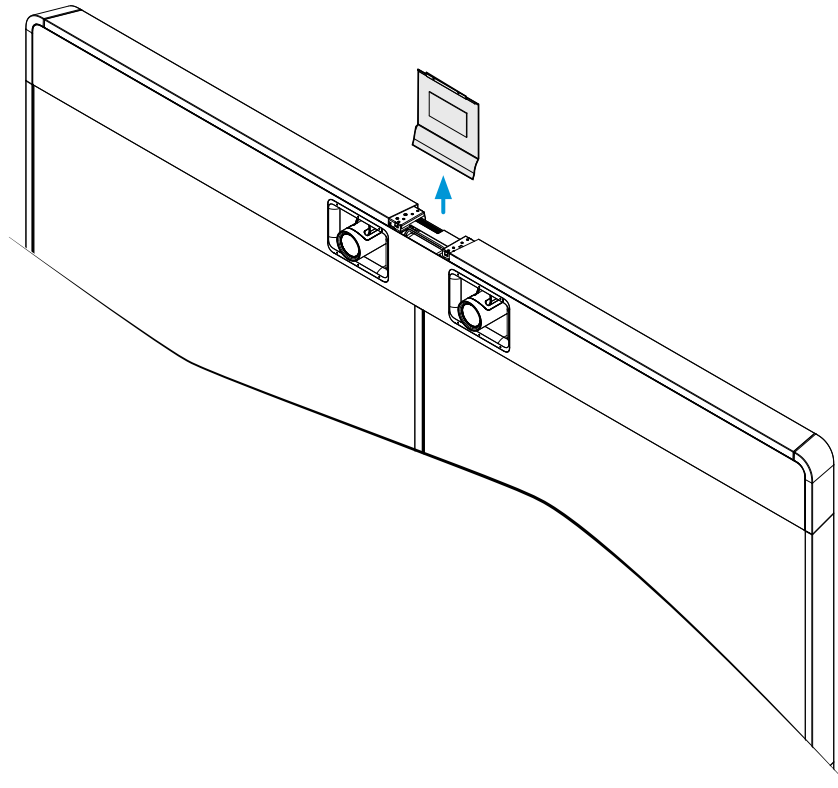
Spare parts:

- Center back cover kit: CTS-MX800-D-CAMCV=

Replace center top profile, camera cover and center back cover (page 2 of 3)

Step 2: Remove the camera cover

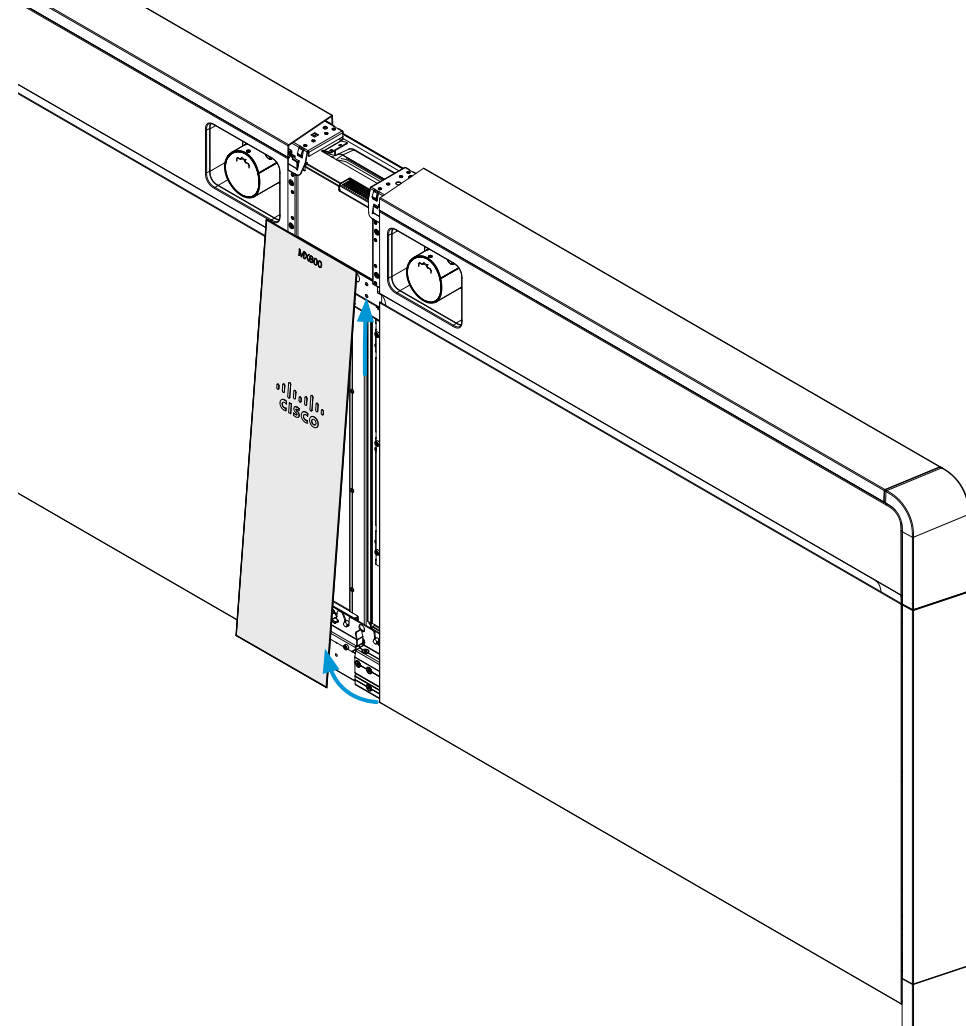
The camera cover is fastened with magnets. Pull up gently.



Replace center top profile, camera cover and center back cover (page 3 of 3)

Step 3: Remove the center back cover

The center back cover is fastened with magnets.
Tilt the back cover out at the bottom, and slide it upward.



Re-assembly:

In order to replace the covers, follow the steps in reversed order.

Speakers and cameras

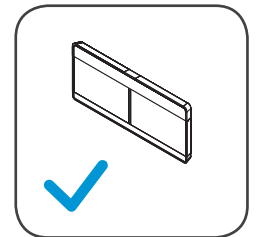
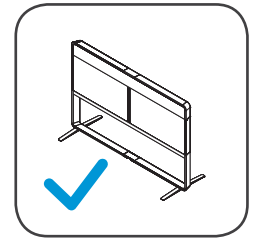
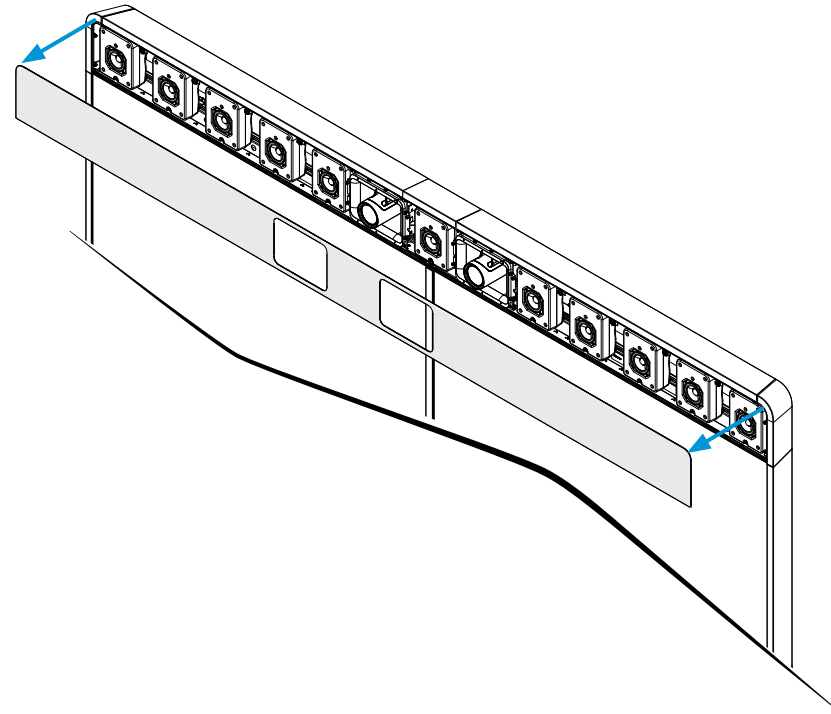
Replace a loudspeaker	14
Replace dual camera module.....	16

Replace a loudspeaker (page 1 of 2)

Step 1: Remove the speaker grille

 Use clean gloves when handling the textile grille.

The speaker grille is fastened with magnets. Pull out gently and lay it aside.

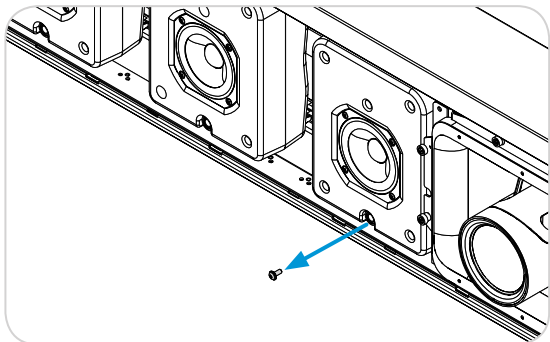
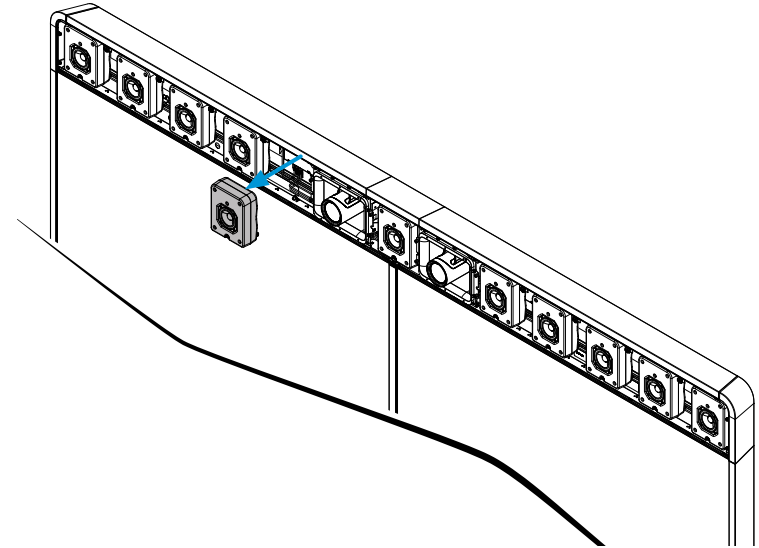


Spare part:
· CTS-MX700800-SPKR=

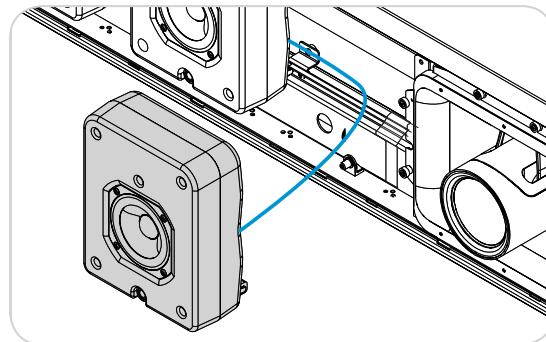
Replace a loudspeaker (page 2 of 2)

Step 2: Remove the loudspeaker

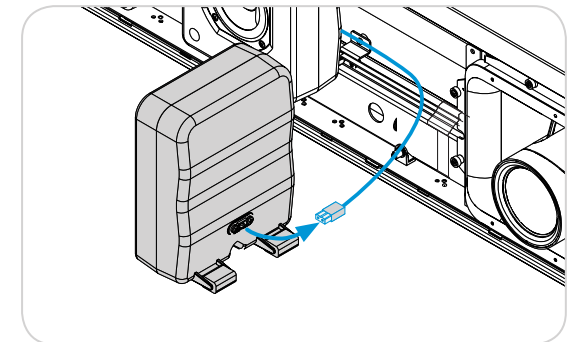
The same procedure applies for loudspeakers in all positions.



2a Remove screw.
PT4x10, Torx T20



2b Pull loudspeaker 10-15 cm (4-6 inch) out.



2c Unplug the cable from the connector on the back of the loudspeaker.

Re-assembly:

In order to install the new loudspeaker, follow the steps in reversed order.

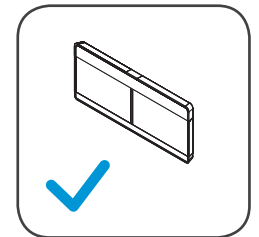
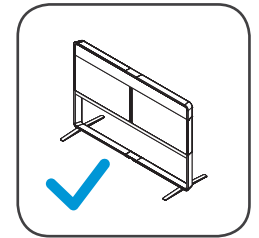
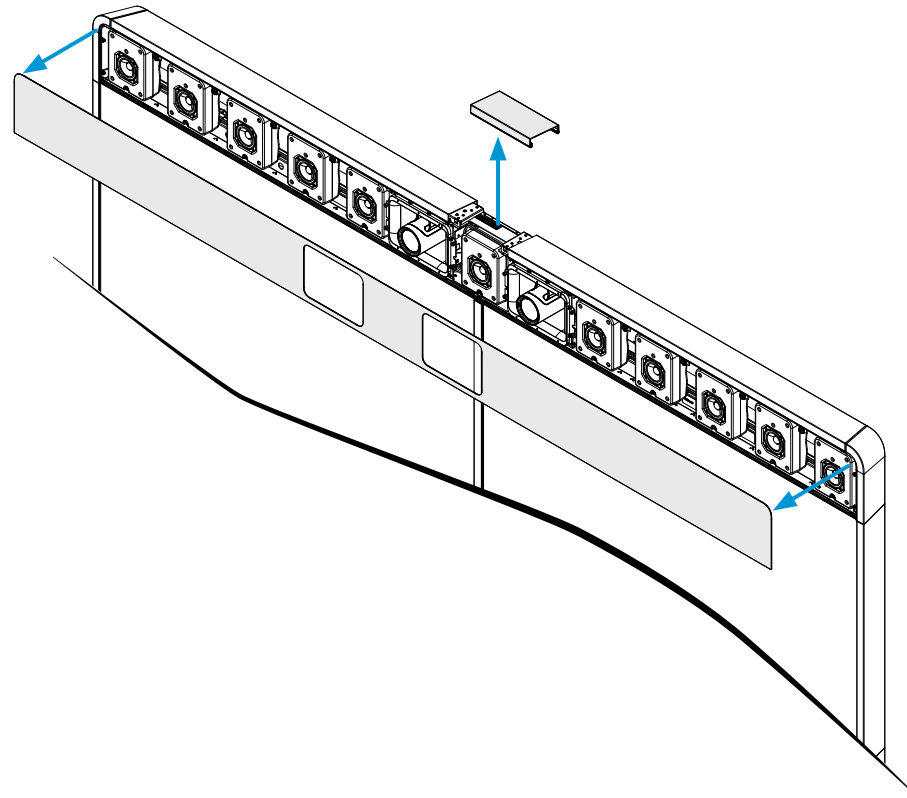
Replace dual camera module (page 1 of 7)

Step 1: Remove speaker grille and center top profile

 Use clean gloves when handling the textile grille.

The speaker grille is fastened with magnets, and the center top profile is click-fastened.

Pull out the parts gently and lay them aside.



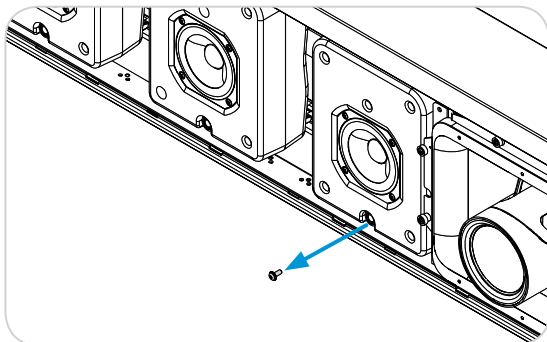
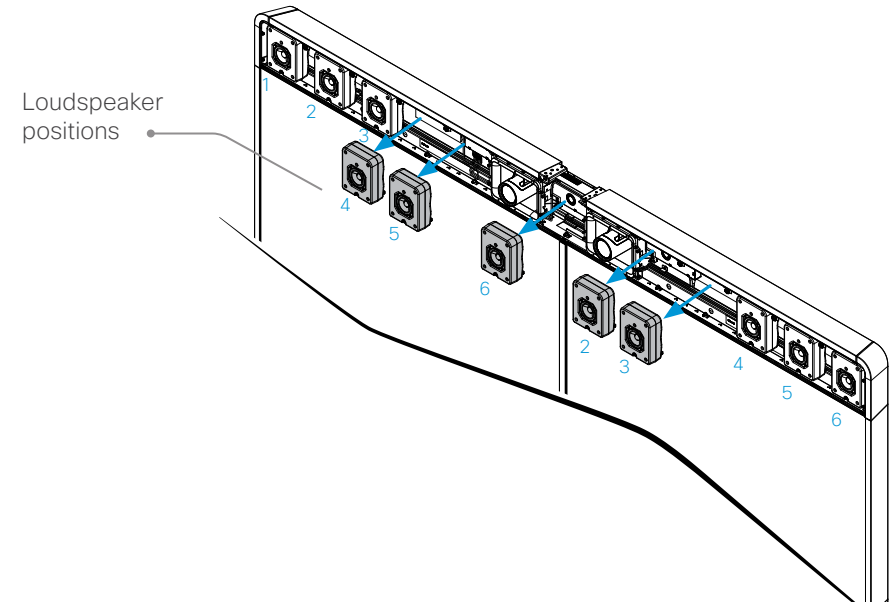
Spare part:
· CTS-MXCAM-D=


Replace dual camera module (page 2 of 7)

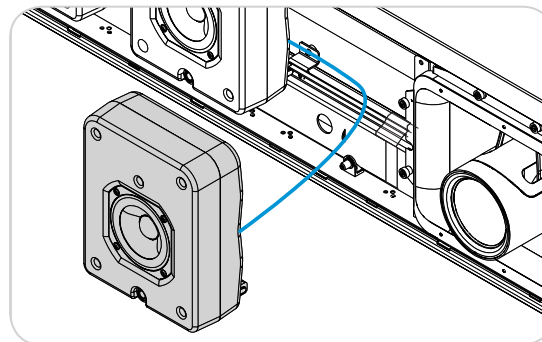
Step 2: Remove loudspeakers from positions 4, 5 and 6 above left monitor and positions 2 and 3 above right monitor

This procedure is shown for loudspeaker 5 above the left monitor. Repeat the procedure for loudspeaker 4 and 6 above the left monitor, and 2 and 3 above the right monitor.

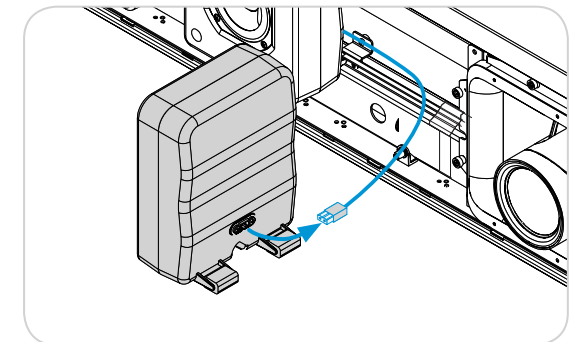
i When reconnecting a loudspeaker, make sure to connect the correct cable. The cables are marked with the loudspeaker's position. Loudspeaker cable 1 above the right monitor is not used.



2a Remove screw.
 PT4x10, Torx T20



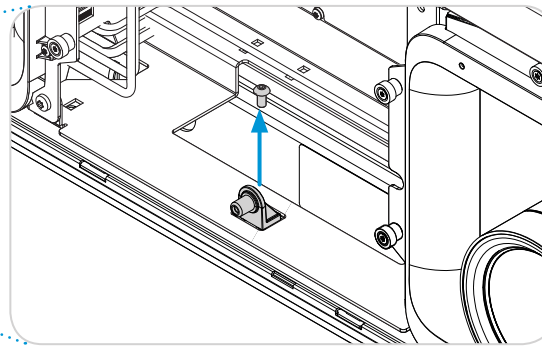
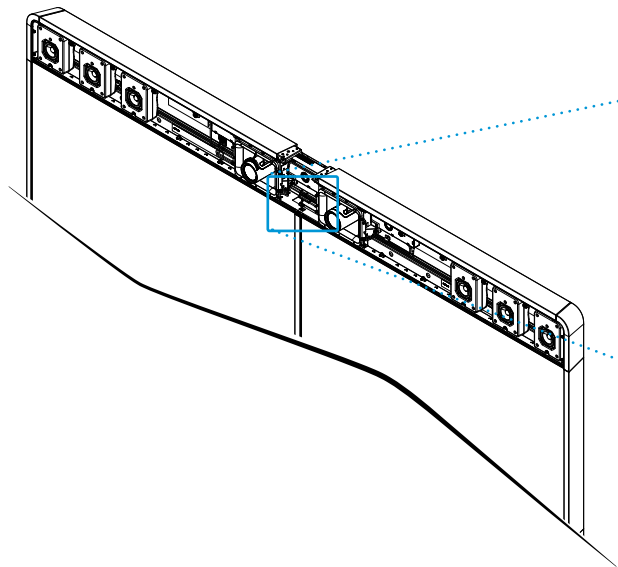
2b Pull loudspeaker 10-15 cm (4-6 inch) out.




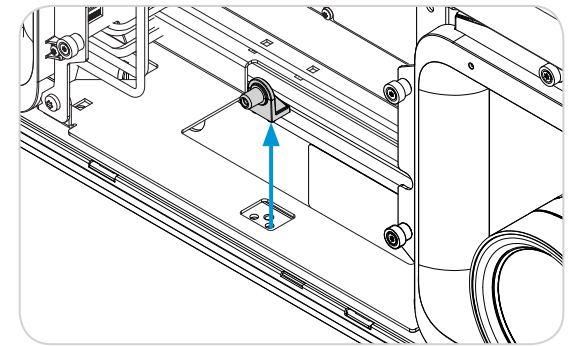
2c Unplug the cable from the connector on the back of the loudspeaker.


Replace dual camera module (page 3 of 7)

Step 3: Remove center speaker clip



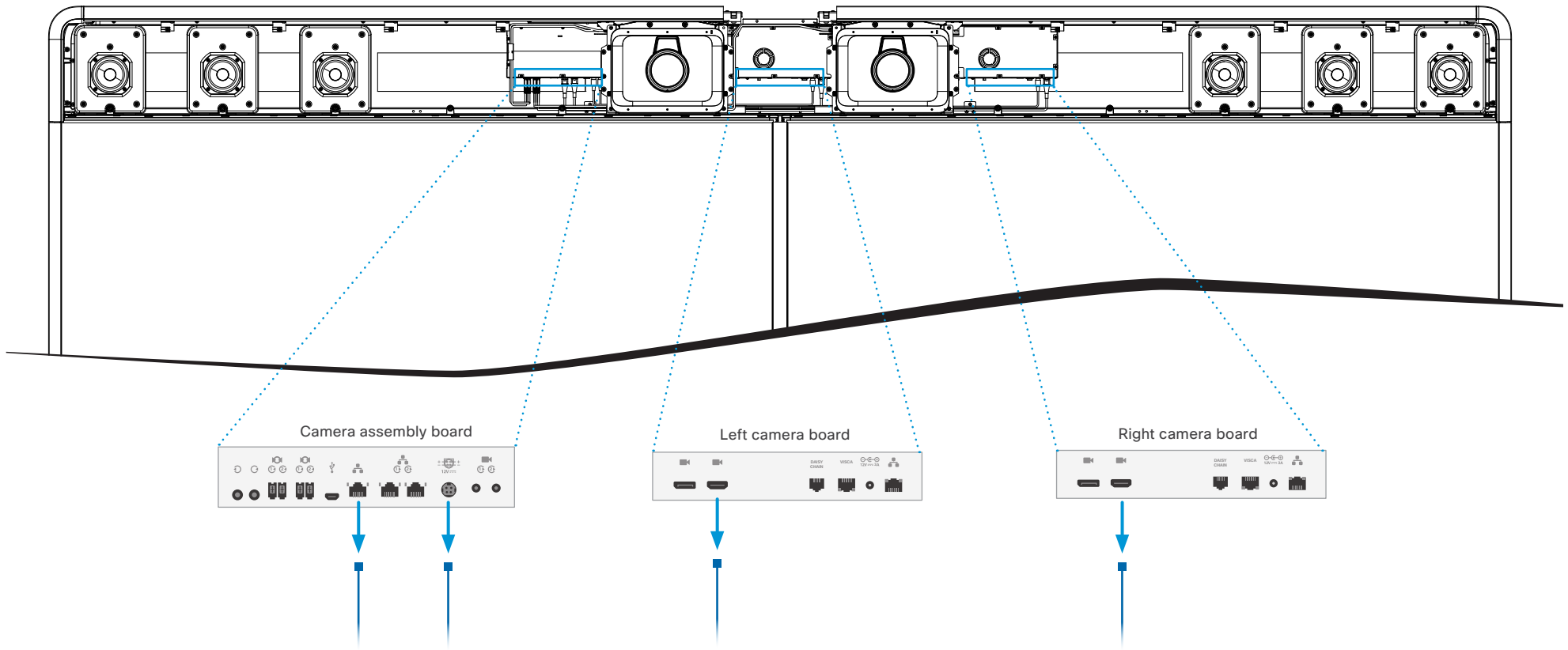
3a Remove screw.
 1 × M4x8 (pan),
Allen key, 2.5 mm



3b Remove speaker clip.
 1 × Speaker clip

Replace dual camera module (page 4 of 7)

Step 4: Unplug camera cables

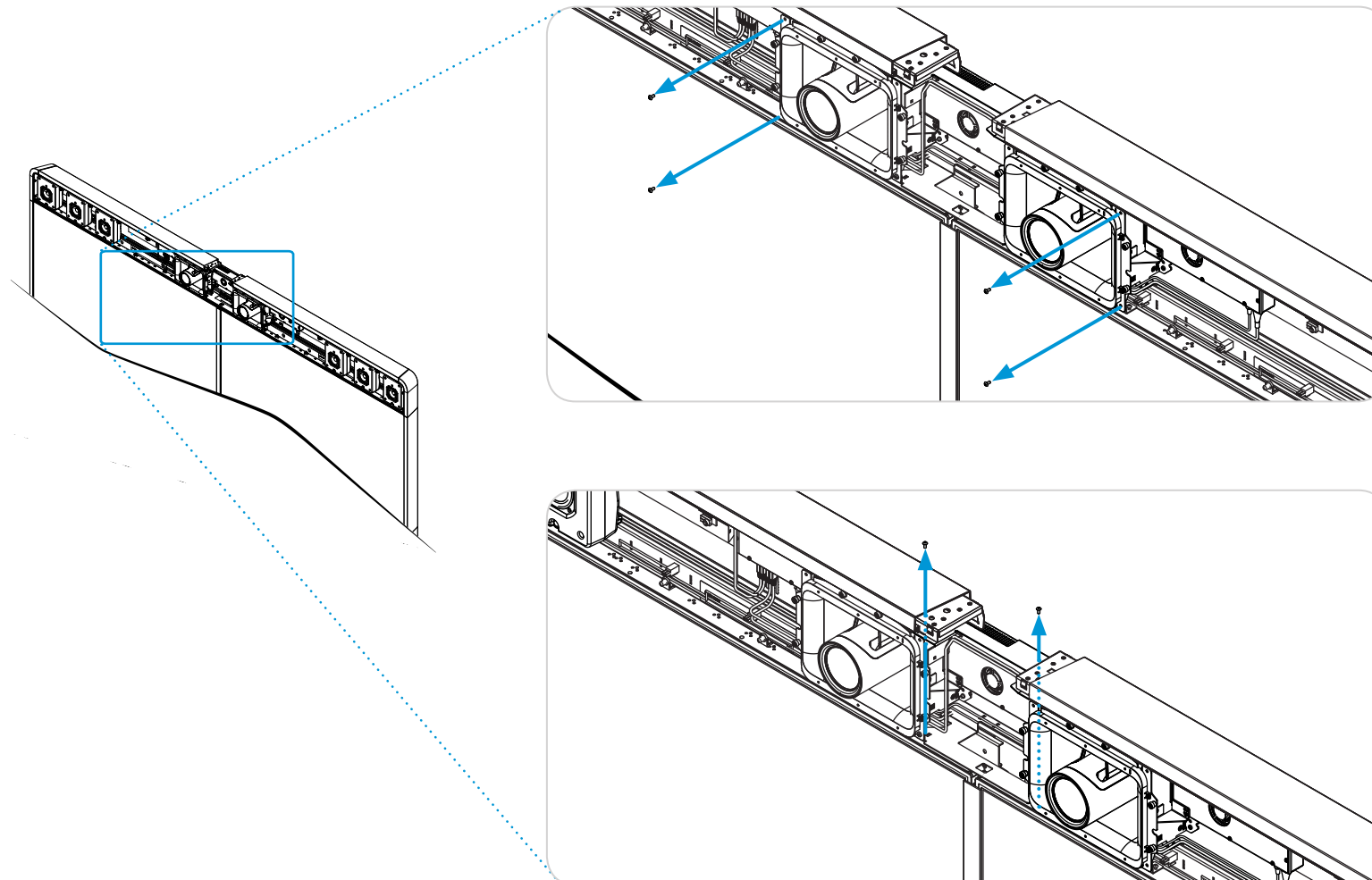


Only remove the cables shown here


The other cables are internal to the dual camera module and should not be disconnected.

Replace dual camera module (page 5 of 7)


Step 5: Unscrew camera screws



5a Remove 4 screws from the front.

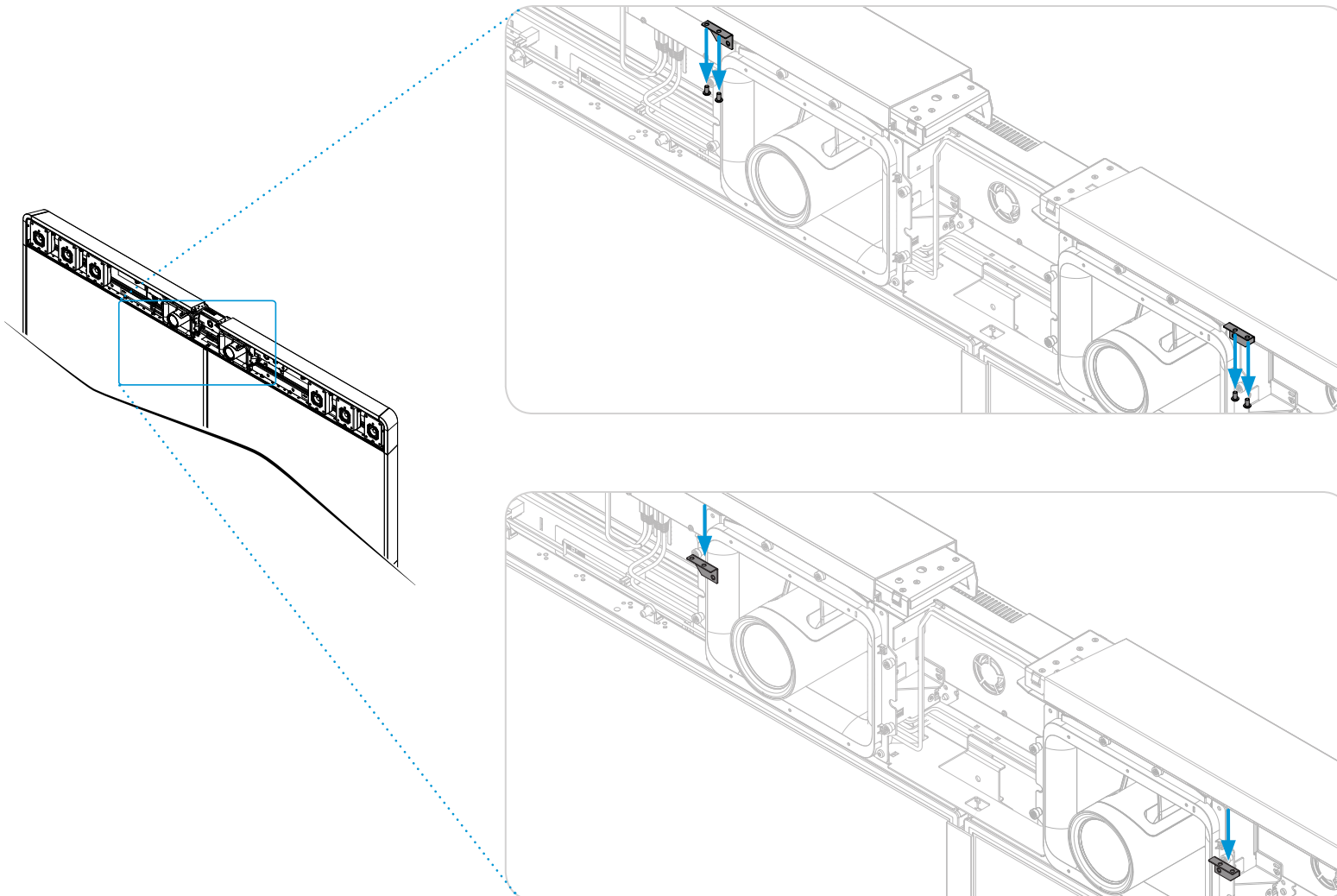
 4 × M4x8 (pan),
Allen key, 2.5 mm


5b Remove lower screws.

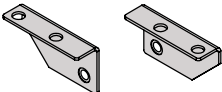
 2 × M4x8 (pan),
Allen key, 2.5 mm

Replace dual camera module (page 6 of 7)

Step 6: Remove brackets



6a Remove four screws.
 4 × M4x8 (pan),
Allen key 2.5 mm

6b Remove brackets.


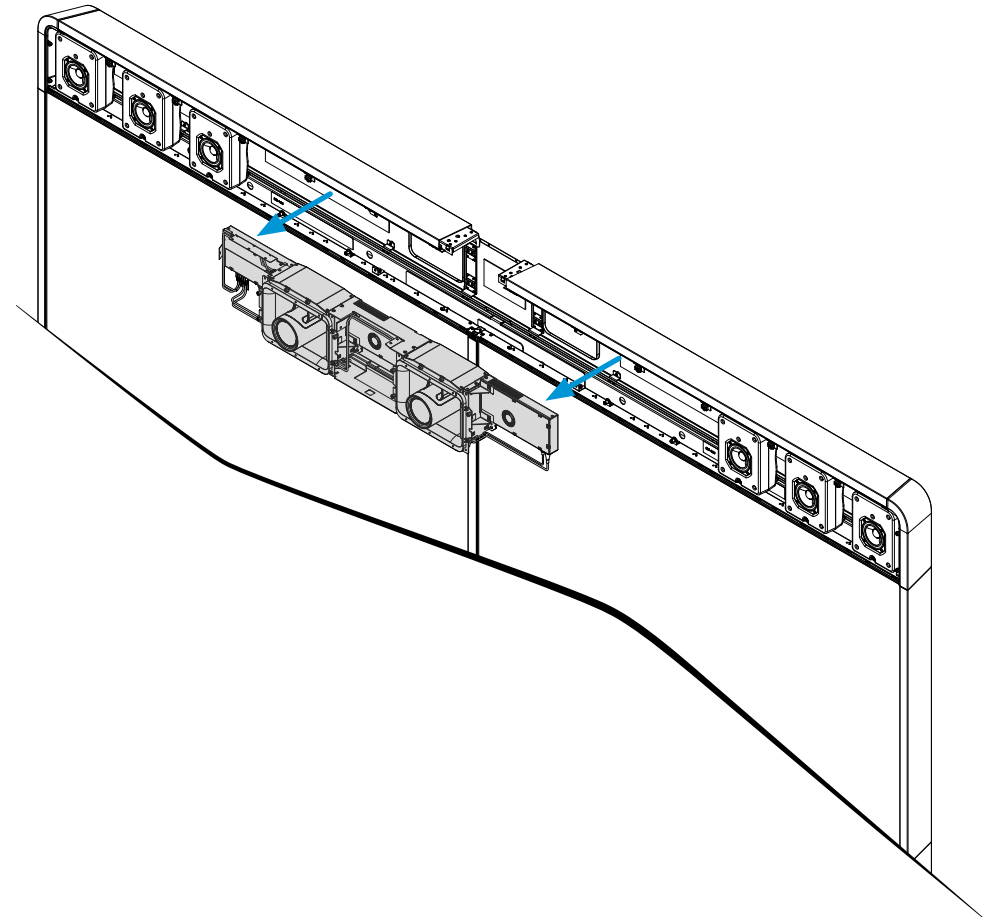
Replace dual camera module (page 7 of 7)

Step 7: Pull out camera module

Gently pull out the camera module.



Do not touch the lens.
Do not apply stress or strain to the camera module.



Re-assembly:

In order to install the new camera module, follow the steps in reversed order.

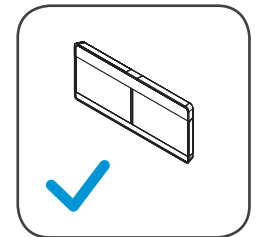
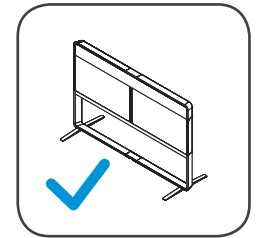
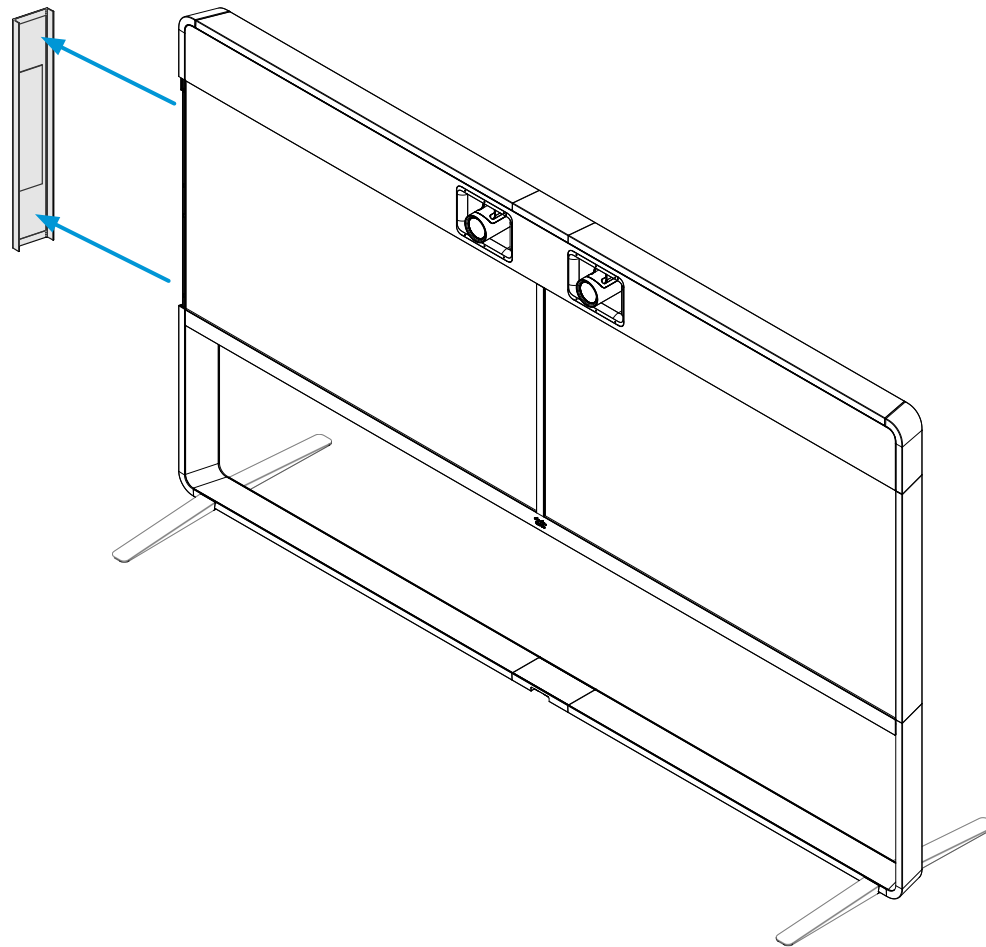
Codec and monitors

Replace codec	24
Replace PoE injector	28
Replace monitor (mounted on a stand)	30
Replace monitor (wall mounted)	37

Replace codec (page 1 of 4)

Step 1: Remove left side cover

The side cover is fastened with magnets.
Pull out gently and set aside.



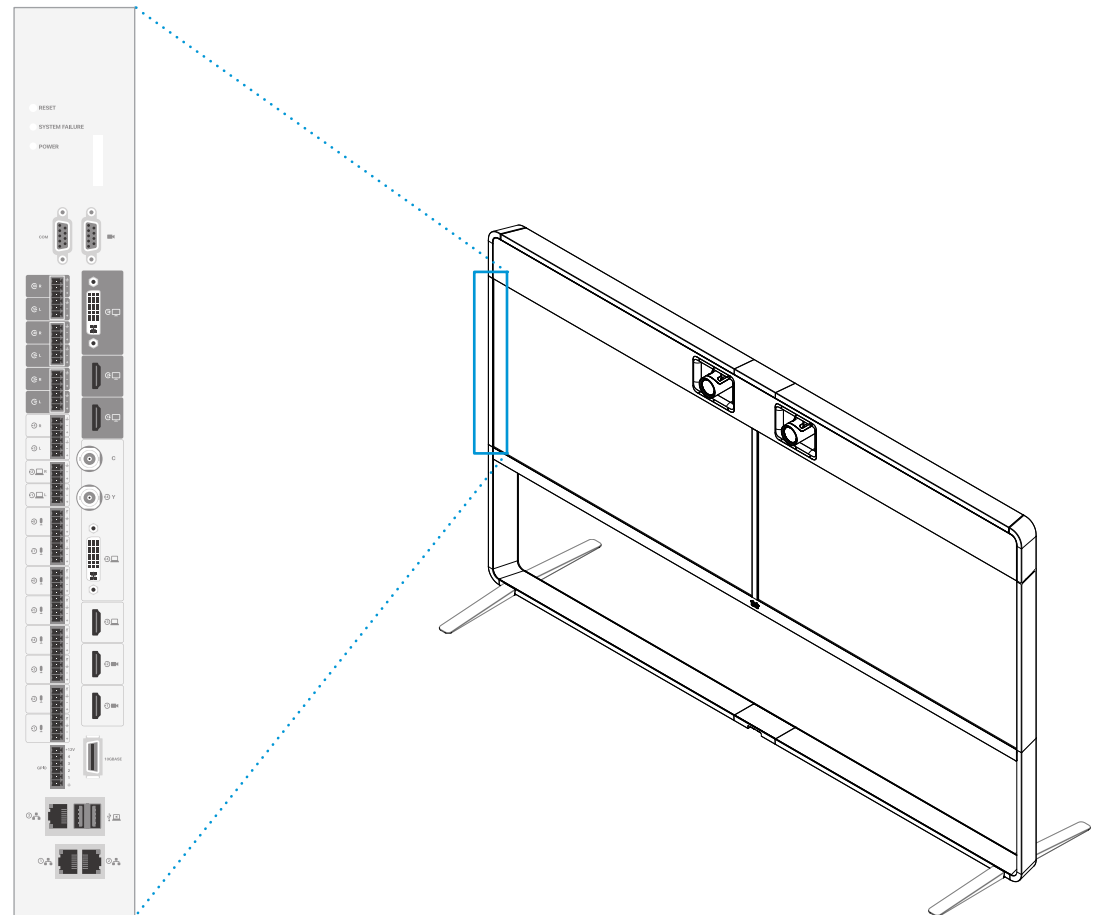
Spare part:
· CTS-MXCODEC=

Replace codec (page 2 of 4)

Step 2: Disconnect all cables from codec


Make sure to remember the position of the cables.

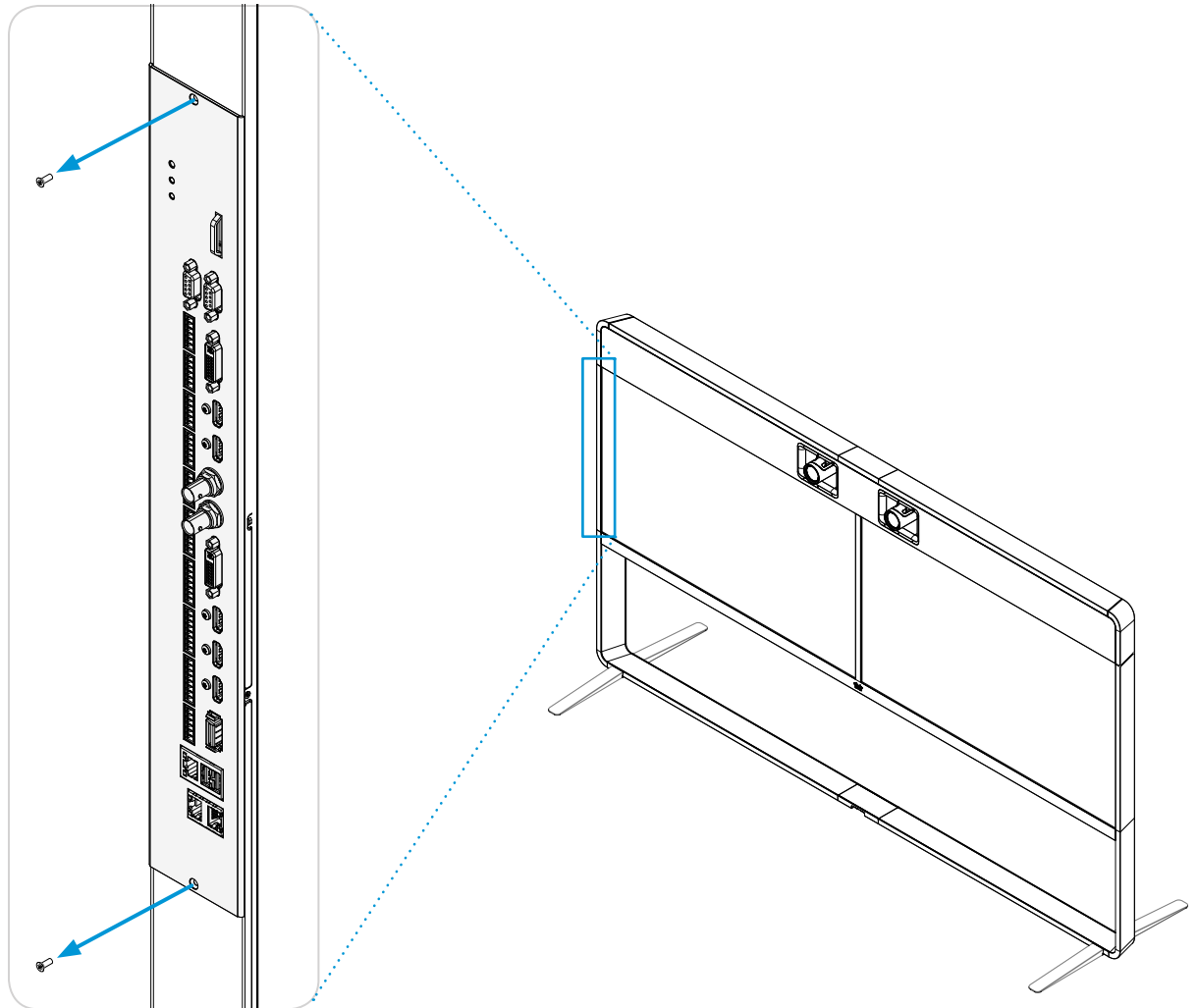
Refer to cabling details in the *Cable schema* and *Spare part list* on our web site. Go to <http://www.cisco.com/go/mx-docs> and select *Maintain and Operate Guides*.



Replace codec (page 3 of 4)


Step 3: Unscrew fixing screws

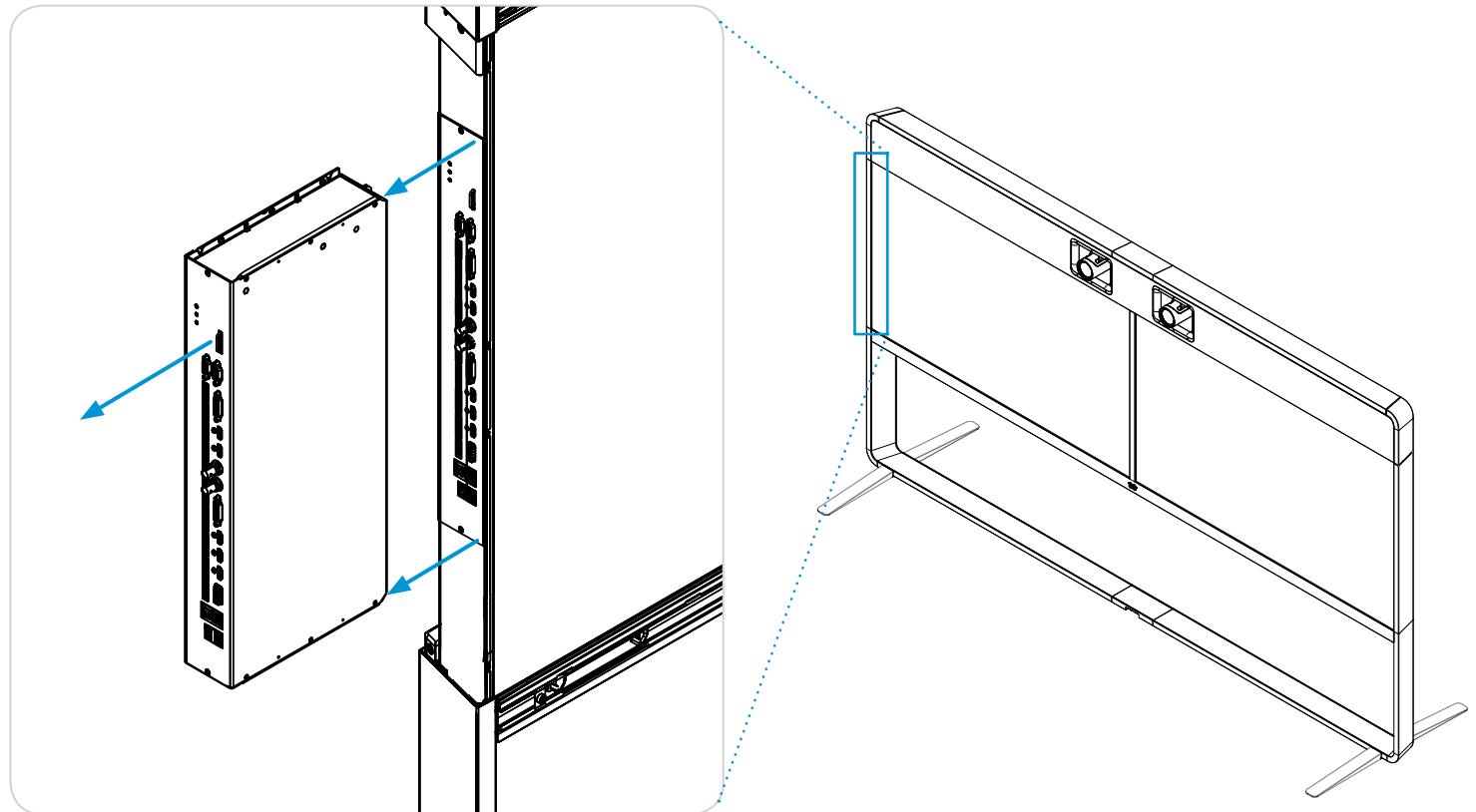
-  2 × M3x8 (countersunk), Torx T10



Replace codec (page 4 of 4)

Step 4: Pull out codec using velcro strap at top

 The codec is mounted in a power dock. Pull firmly to get it out.



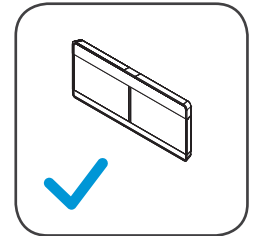
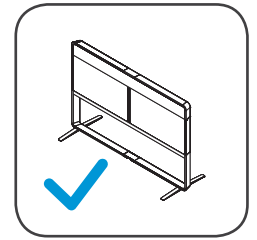
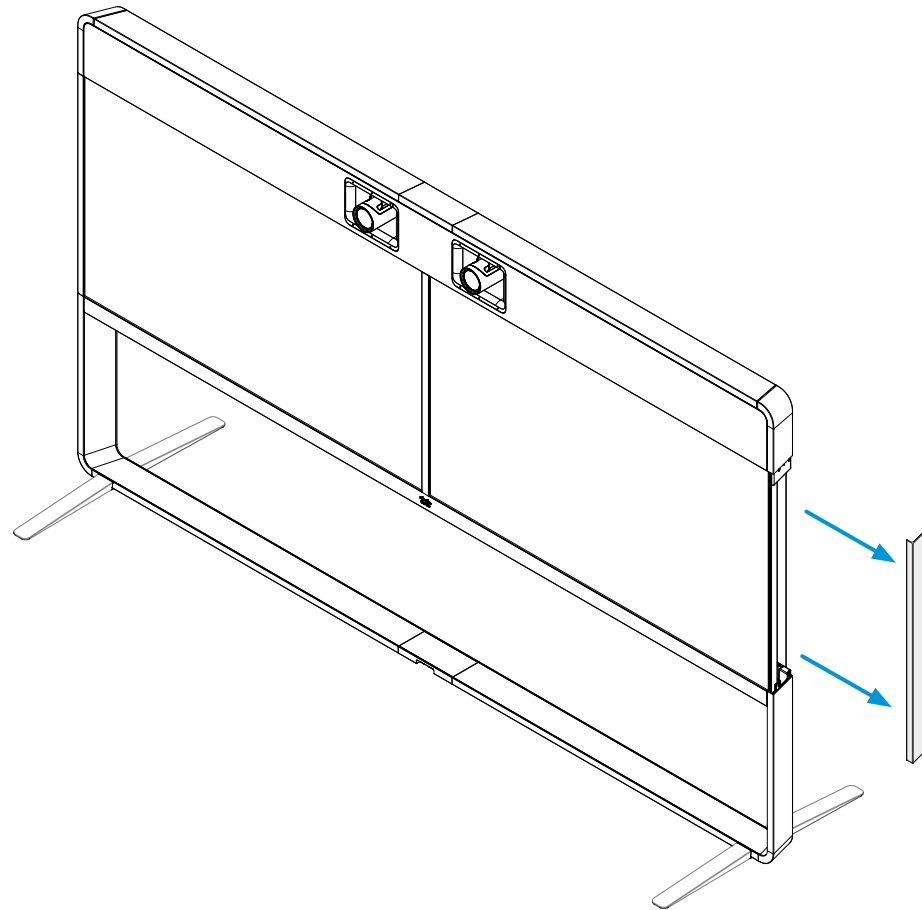
Re-assembly:

In order to install the new codec, follow all the steps in reverse order.

Replace PoE injector (page 1 of 2)

Step 1: Remove right side cover

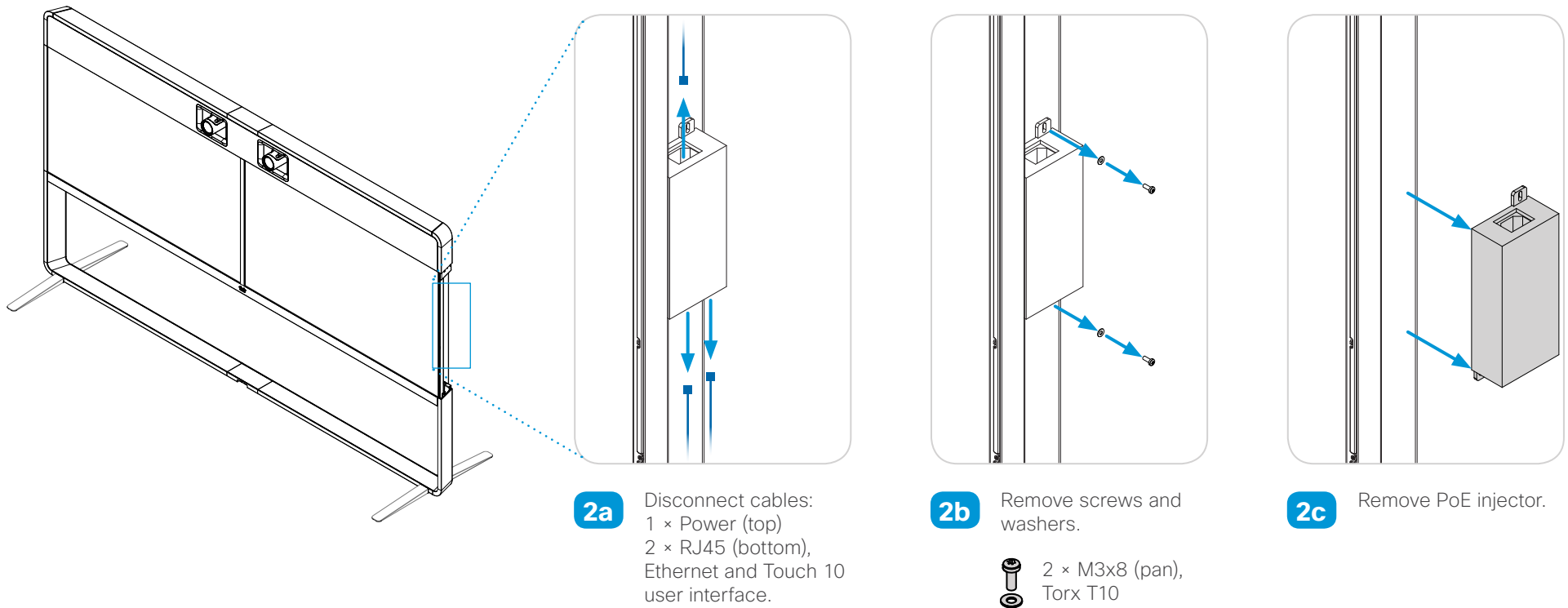
The side cover is fastened with magnets.
Pull out gently and set aside.



Spare part:
· CTS-PWR-AIR-INJ5=

Replace PoE injector (page 2 of 2)

Step 2: Remove PoE injector



Re-assembly:


In order to install the new PoE injector, follow all the steps in reverse order.

Replace monitor (mounted on a stand) (page 1 of 7)

The illustrations provided show how to replace the right monitor. The same steps should be taken on the left monitor, when replacing the left monitor.

Step 1: Remove speaker grille, lower grille, loudspeakers and camera

Follow the steps described in [“Replace dual camera module”](#) on page 16 to page 22.

 Note that you have to remove **all** loudspeakers that are mounted on the monitor that you are replacing.

Choose Step 2 based on which of the two monitors you are going to replace:

Step 2 - When replacing the *left* monitor: Remove codec

Follow the steps described in [“Replace codec”](#) on page 24 to page 27.

Step 2 - When replacing the *right* monitor: Remove PoE injector

Follow the steps described in [“Replace PoE injector”](#) on page 28 to page 29.

Step 3: Remove center covers

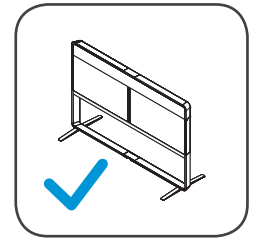
Follow the steps described in [“Replace center top profile, camera cover and center back cover”](#) on page 11 to page 12.

Spare parts:

- Left monitor: CTS-MX800-MON-L-D= or CTS-MX800-MONLD++=
- Right monitor: CTS-MX800-MON-R-D= or CTS-MX800-MONRD++=



The monitor is heavy. We recommend four people working together to replace the monitor.



Replace monitor (mounted on a stand) (page 2 of 7)

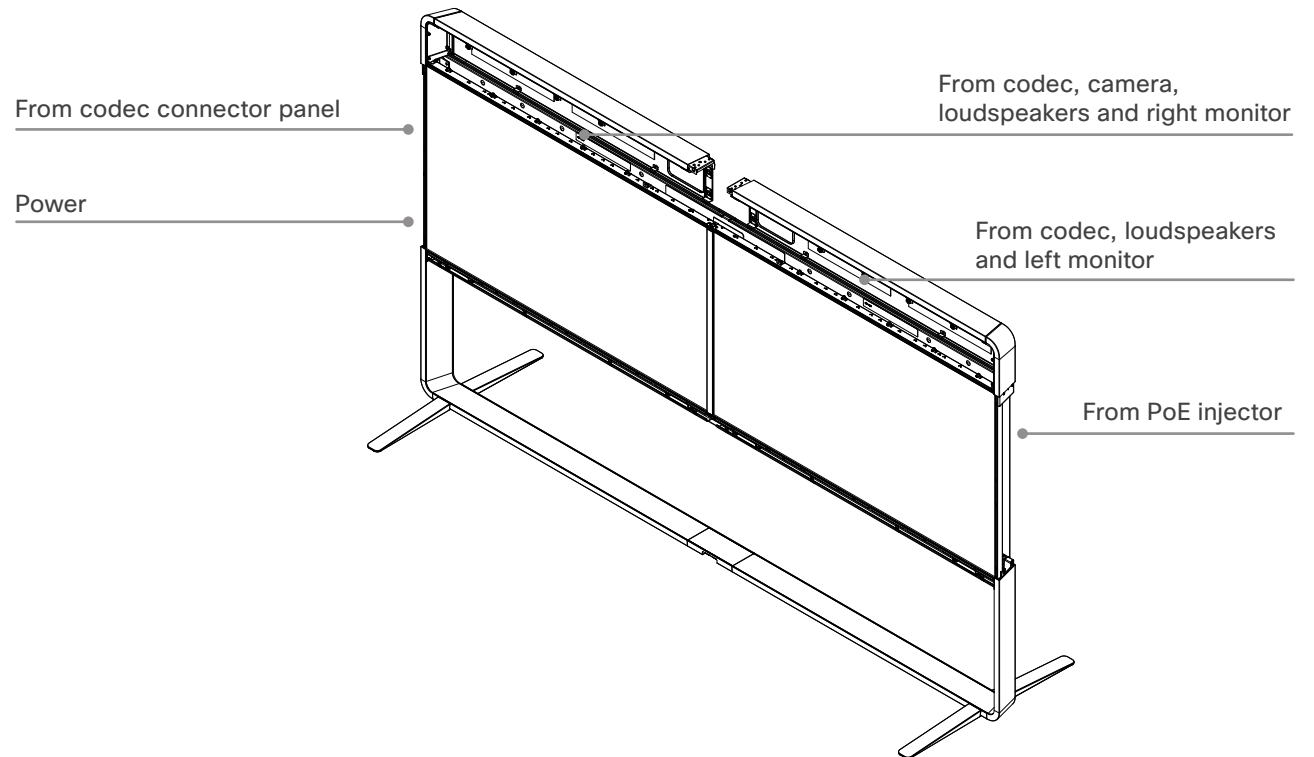
Step 4: Remove all cables

i All cables that were shipped with the system remain in your property and should not be returned to the supplier.

You will not receive new cables with the replacement part.

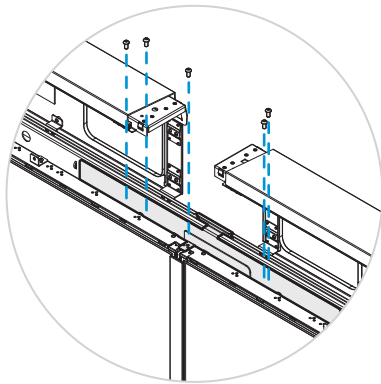
Only remove cables for the monitor that you are replacing.


For reconnecting the cables, refer to cabling details in the *Cable schema* and *Spare part list* on our web site. Go to <http://www.cisco.com/go/mx-docs> and select *Maintain and Operate Guides*.

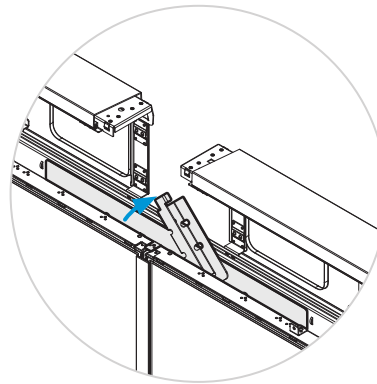


Replace monitor (mounted on a stand) (page 3 of 7)

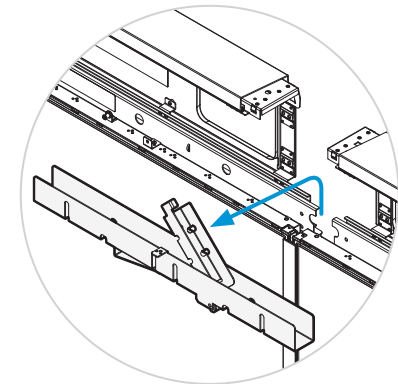
Step 5: Remove joining bracket



5a  5 × M6x12 (pan)



5b Pull up the lever.



5c Remove the joining bracket from the channel.

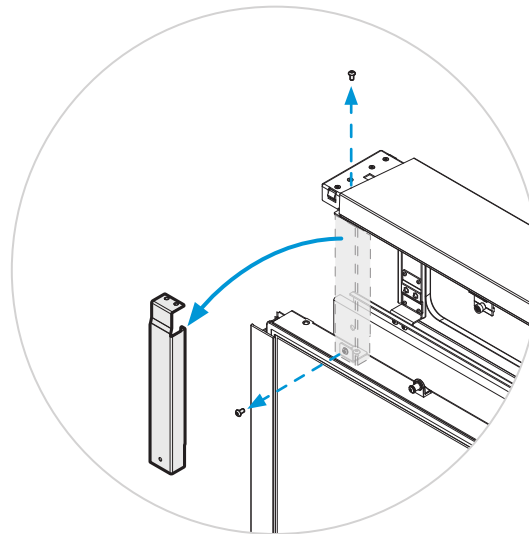
Replace monitor (mounted on a stand) (page 4 of 7)

Step 6: Install support handles on the monitor to be replaced

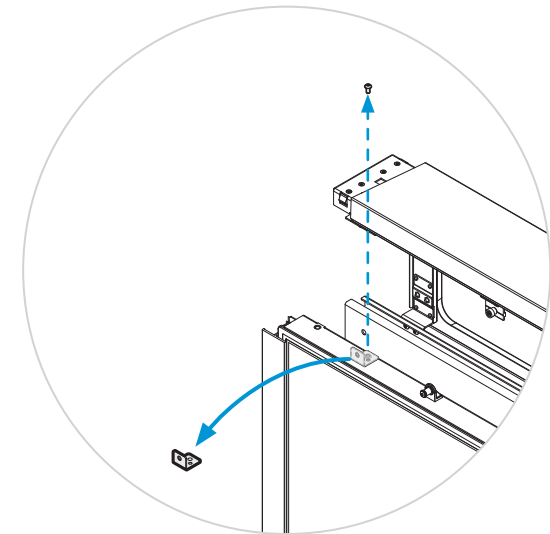
First remove the support handles from your replacement monitor as illustrated.

Then mount the handles on the monitor you want to replace.

This is necessary in order to safely lift the monitor.



6a Unscrew the screws (4 × M4x8, two on each handle) and remove the two support handles from the replacement monitor.



6b Unscrew the screws (2 × M4x8, one on each bracket) and remove the brackets that the support handles were fastened to.

6c Mount the brackets and handles on the monitor you want to replace.

Replace monitor (mounted on a stand) (page 5 of 7)

Step 7: Unscrew monitor screws and security bracket and disconnect power cable



90 kg / 200 lb

Secure the monitor

We recommend four people working together to replace the monitor. Two people must hold the monitor.

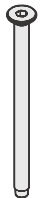
7a



Unscrew the four M6x12 screws (countersunk), in front at each side.

Use an Allen key, 4 mm

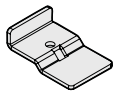
7b



Unscrew the two M6x90 screws (countersunk), from underneath at each side.

Use an Allen key, 4 mm

7c

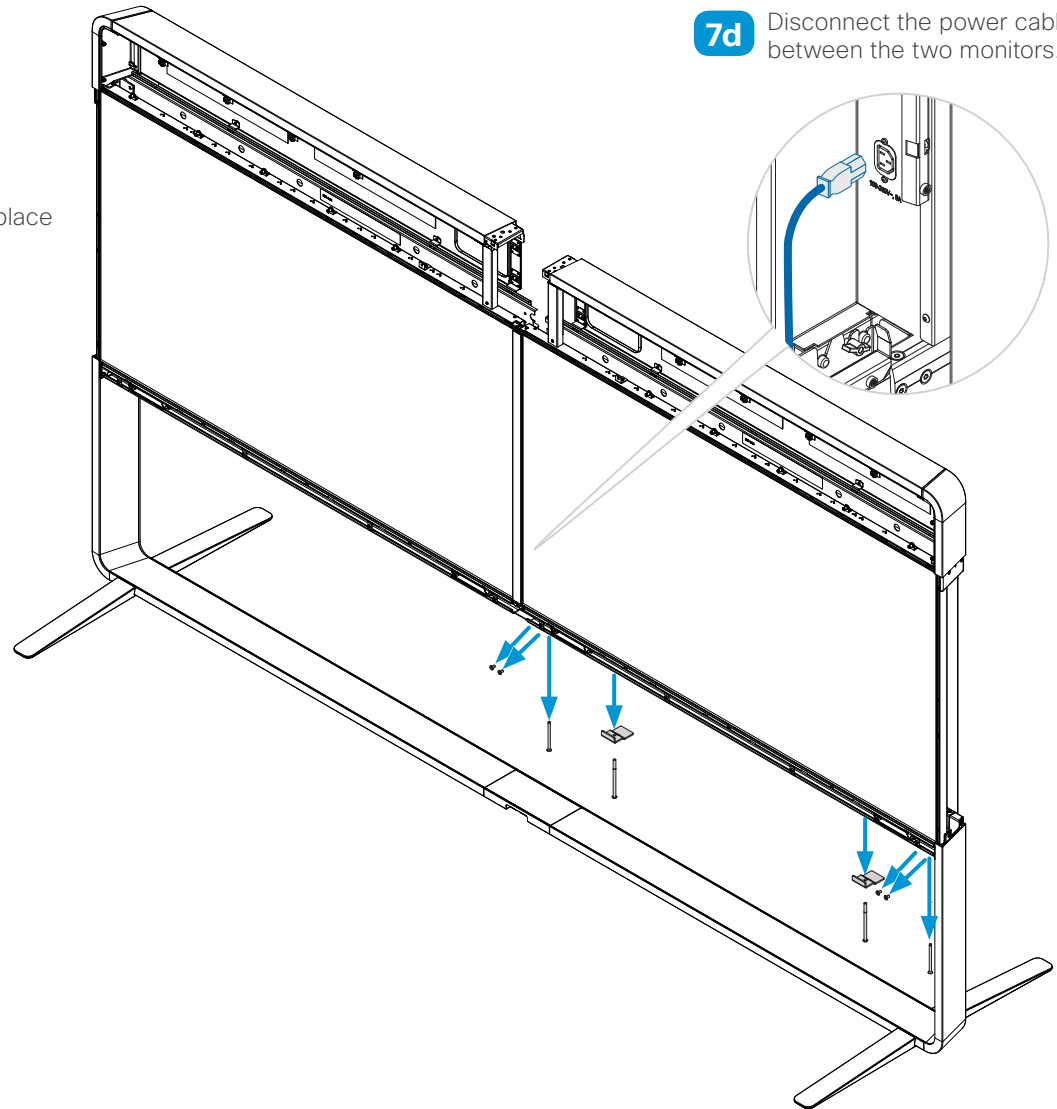


Unscrew the M6x100 screws (pan), from underneath as illustrated, and remove the two security brackets.

Use an Allen key, 4 mm

7d

Disconnect the power cable between the two monitors.



Replace monitor (mounted on a stand) (page 6 of 7)

Step 8: Lift monitor



Before moving the monitor

Plan ahead where to put down the monitor. Ideally, place it in the original shipping packaging.



The monitor is heavy

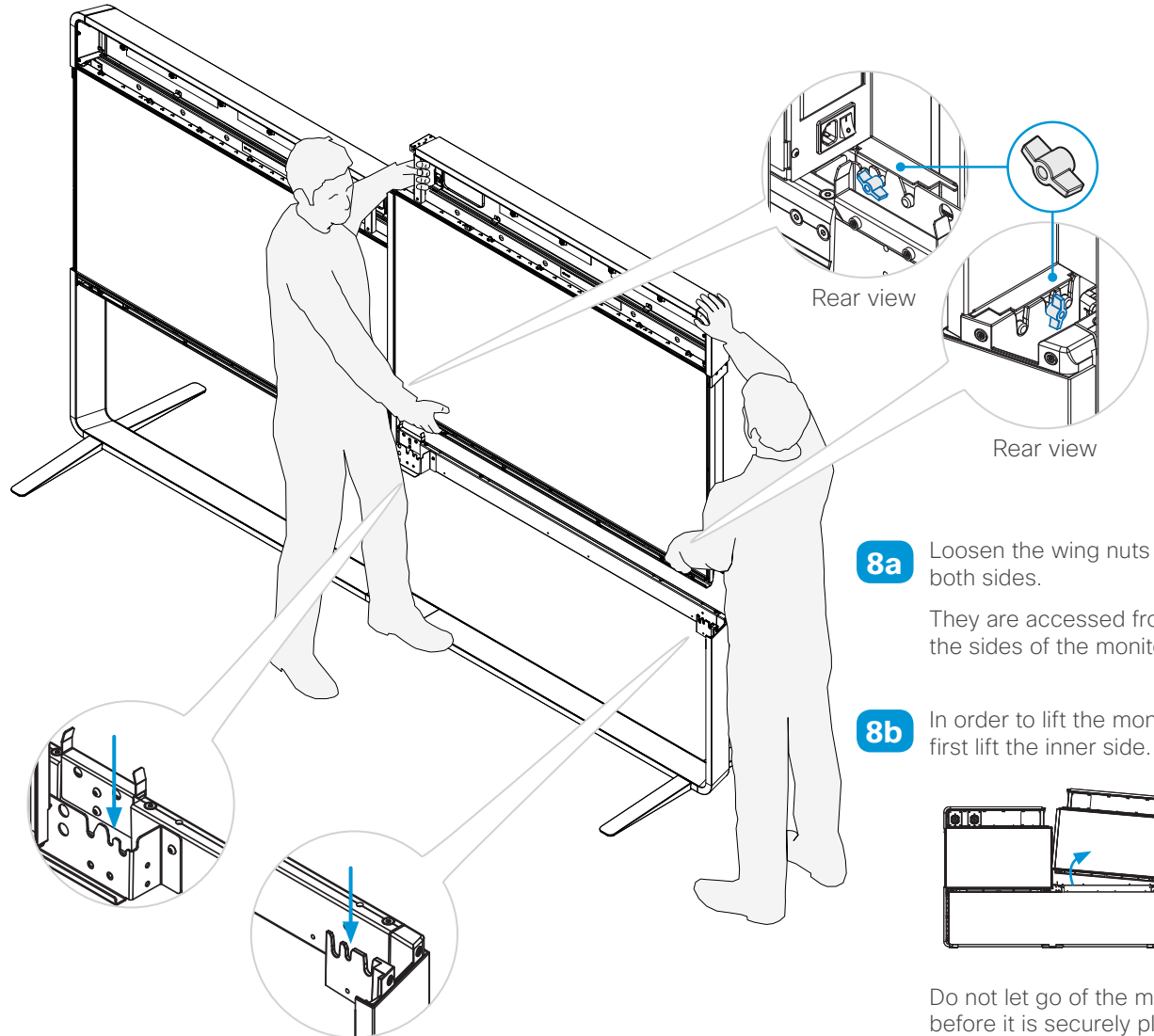
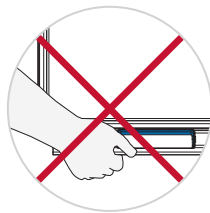
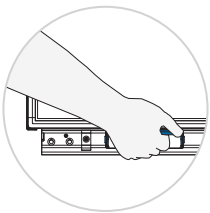
90 kg / 200lb

We recommend four people working together to replace the monitor. Two people should lift the monitor using the handles as described below; the other people must help stabilizing the monitor.



Use lifting handles

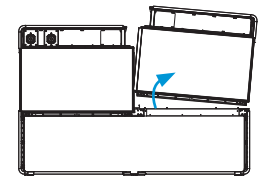
To avoid trapping your fingers, use the lifting handles at the bottom of the monitor.



8a Loosen the wing nuts on both sides.

They are accessed from the sides of the monitor.

8b In order to lift the monitor, first lift the inner side.



Do not let go of the monitor before it is securely placed.



[Replace monitor \(mounted on a stand\) \(page 7 of 7\)](#)

Re-assembly:


In order to install the new monitor, follow all the steps in reverse order.

Replace monitor (wall mounted) (page 1 of 9)

The illustrations provided show how to replace the right monitor. Similar steps should be taken on the left monitor, when replacing the left monitor.

Step 1: Remove speaker grille, lower grille, loudspeakers and camera

Follow the steps described in [“Replace dual camera module”](#) on page 16 to page 22.

 Note that you have to remove **all** loudspeakers that are mounted on the monitor that you are replacing.

Choose Step 2 based on which of the two monitors you are going to replace:

Step 2 - When replacing the *left* monitor: Remove codec

Follow the steps described in [“Replace codec”](#) on page 24 to page 27.

Step 2 - When replacing the *right* monitor: Remove PoE injector

Follow the steps described in [“Replace PoE injector”](#) on page 28 to page 29.

Step 3: Remove center covers

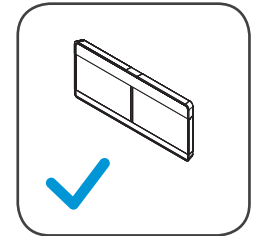
Follow the steps described in [“Replace center top profile, camera cover and center back cover”](#) on page 11 to page 12.

Spare parts:

- Left monitor: CTS-MX800-MON-L-D= or CTS-MX800-MONLD++=
- Right monitor: CTS-MX800-MON-R-D= or CTS-MX800-MONRD++=

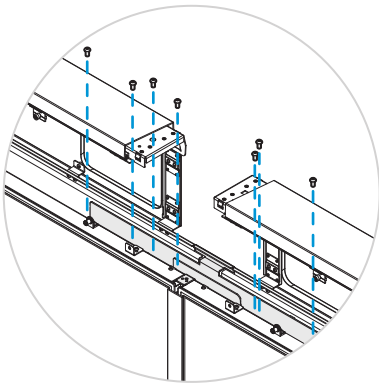



The monitor is heavy. We recommend four people working together to replace the monitor.

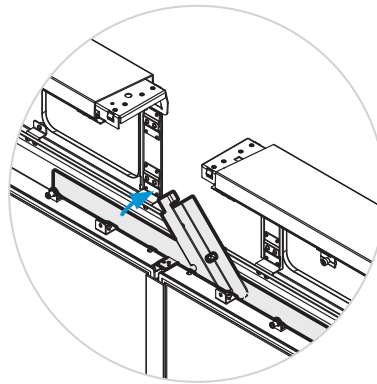


Replace monitor (wall mounted) (page 2 of 9)

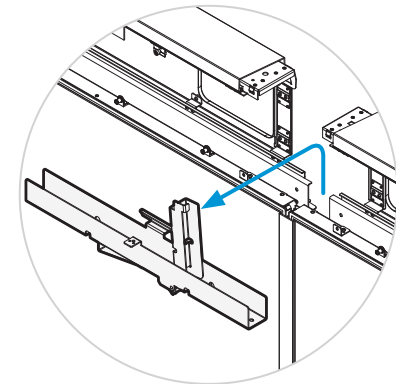
Step 4: Remove joining bracket



4a  5 × M6x12 (pan)



4b Pull up the lever.



4c Remove the joining bracket from the channel.

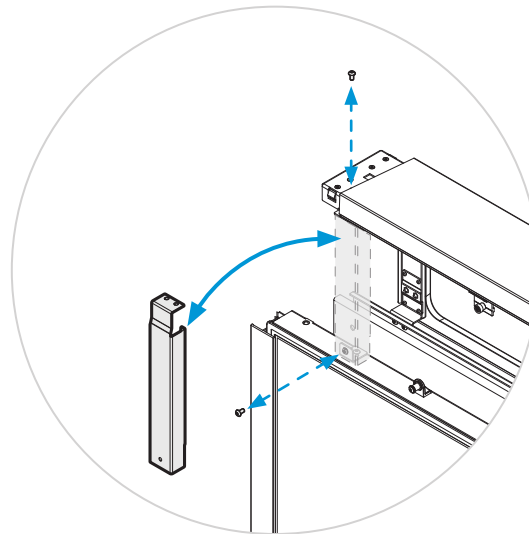
Replace monitor (wall mounted) (page 3 of 9)

Step 5: Install support handles

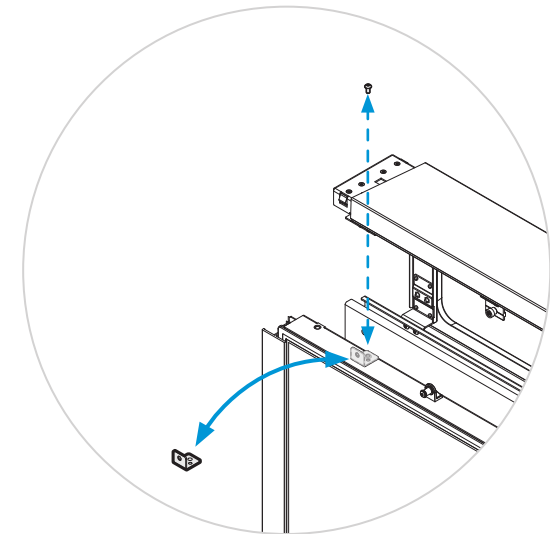
First remove the support handles from your replacement monitor as illustrated.

Then mount the handles on the monitor you want to replace.

This is necessary in order to safely lift the monitor.



5a Unscrew the screws (4 × M4x8, two on each handle) and remove the two support handles from the replacement monitor.




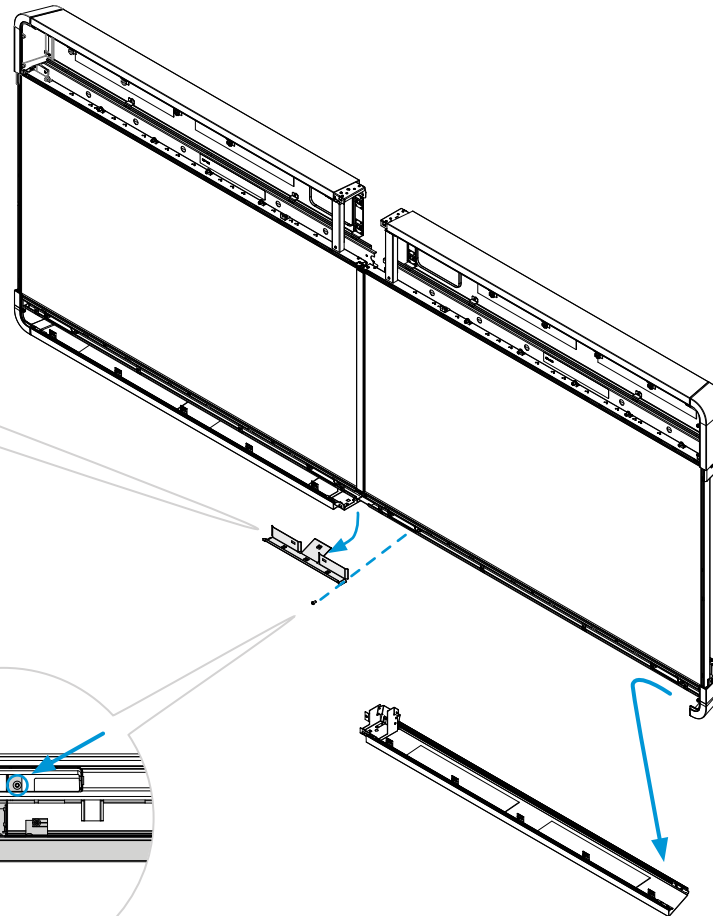
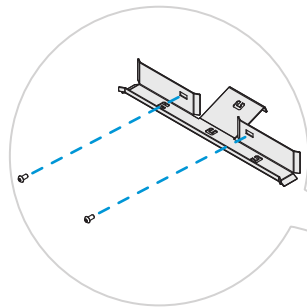
5b Unscrew the screws (2 × M4x8, one on each bracket) and remove the brackets that the support handles were fastened to.

5c Mount the brackets and handles on the monitor you want to replace.

Replace monitor (wall mounted) (page 4 of 9)

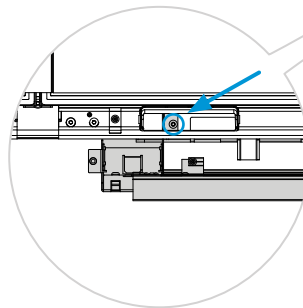
Step 6: Remove cable bridge and lower profile

6a  2 × M6x12 (pan)



6b  1 × M6x12 (pan)

The cover rests on the bottom frame on one side. Hold the cover in place while you remove the screw.



Replace monitor (wall mounted) (page 5 of 9)

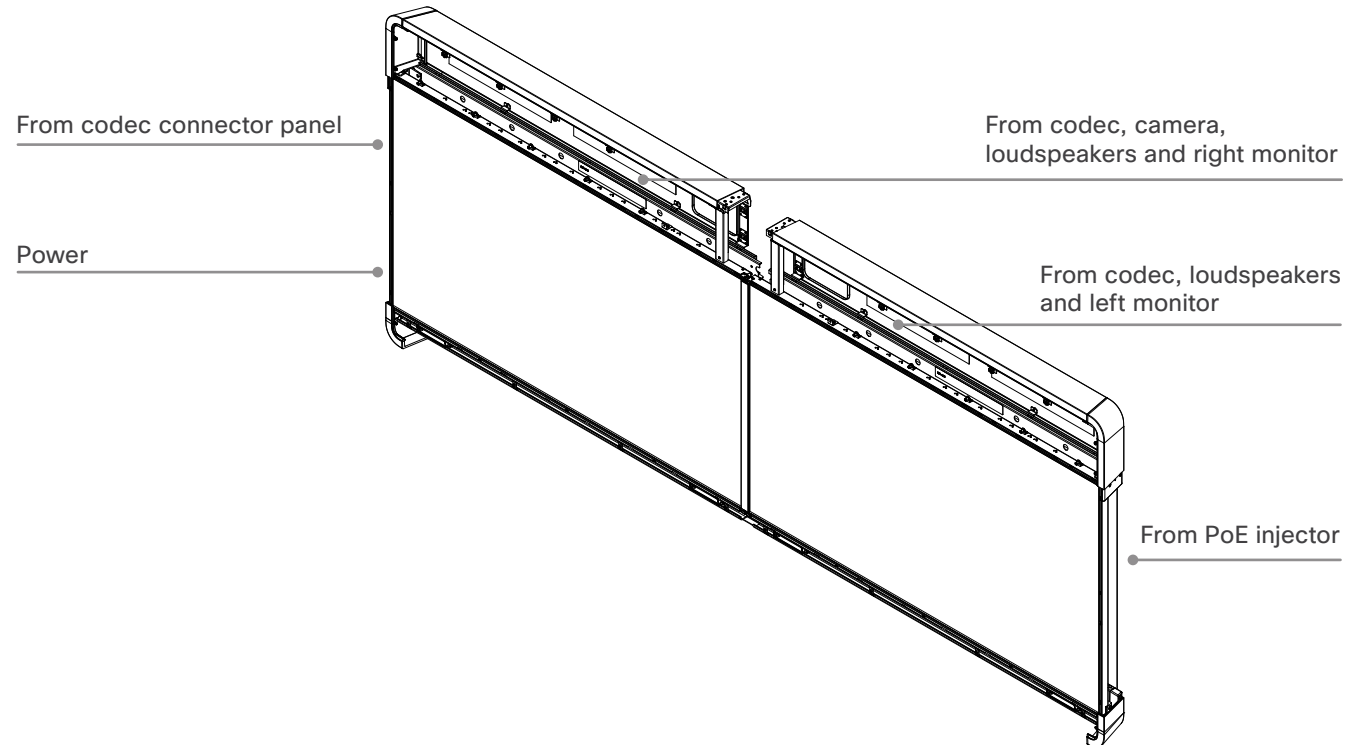
Step 7: Remove all cables

i All cables that were shipped with the system remain in your property and should not be returned to the supplier.

You will not receive new cables with the replacement part.

Only remove cables for the monitor that you are replacing.

For reconnecting the cables, refer to cabling details in the *Cable schema* and *Spare part list* on our web site. Go to <http://www.cisco.com/go/mx-docs> and select *Maintain and Operate Guides*.



Replace monitor (wall mounted) (page 6 of 9)

Step 8: Unscrew monitor screws and security bracket and disconnect power cable



Secure the monitor

We recommend four people working together to replace the monitor. Two people must hold the monitor.

8a



Unscrew the four M6x12 screws (countersunk), in front at each side.

Use an Allen key, 4 mm

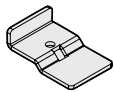
8b



Unscrew the two M6x90 screws (countersunk), from underneath at each side.

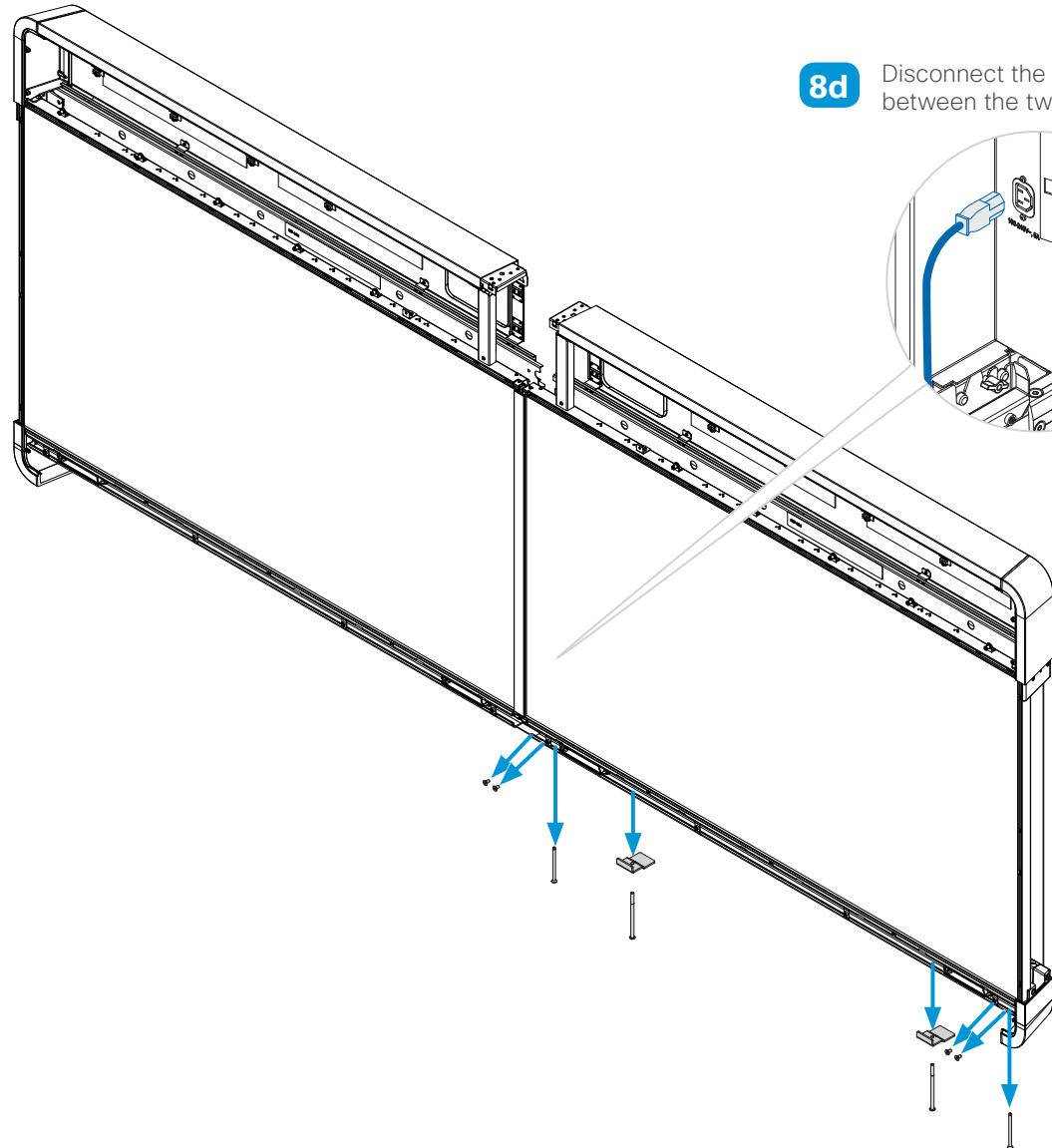
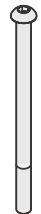
Use an Allen key, 4 mm

8c



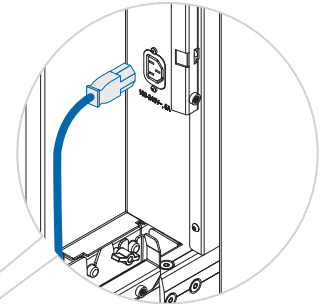
Unscrew the M6x100 screws (pan), from underneath as illustrated, and remove the two security brackets.

Use an Allen key, 4 mm



8d

Disconnect the power cable between the two monitors.



Replace monitor (wall mounted) (page 7 of 9)

Step 9: Lift monitor



Before moving the monitor

Plan ahead where to put down the monitor. Ideally, place it in the original shipping packaging.



The monitor is heavy

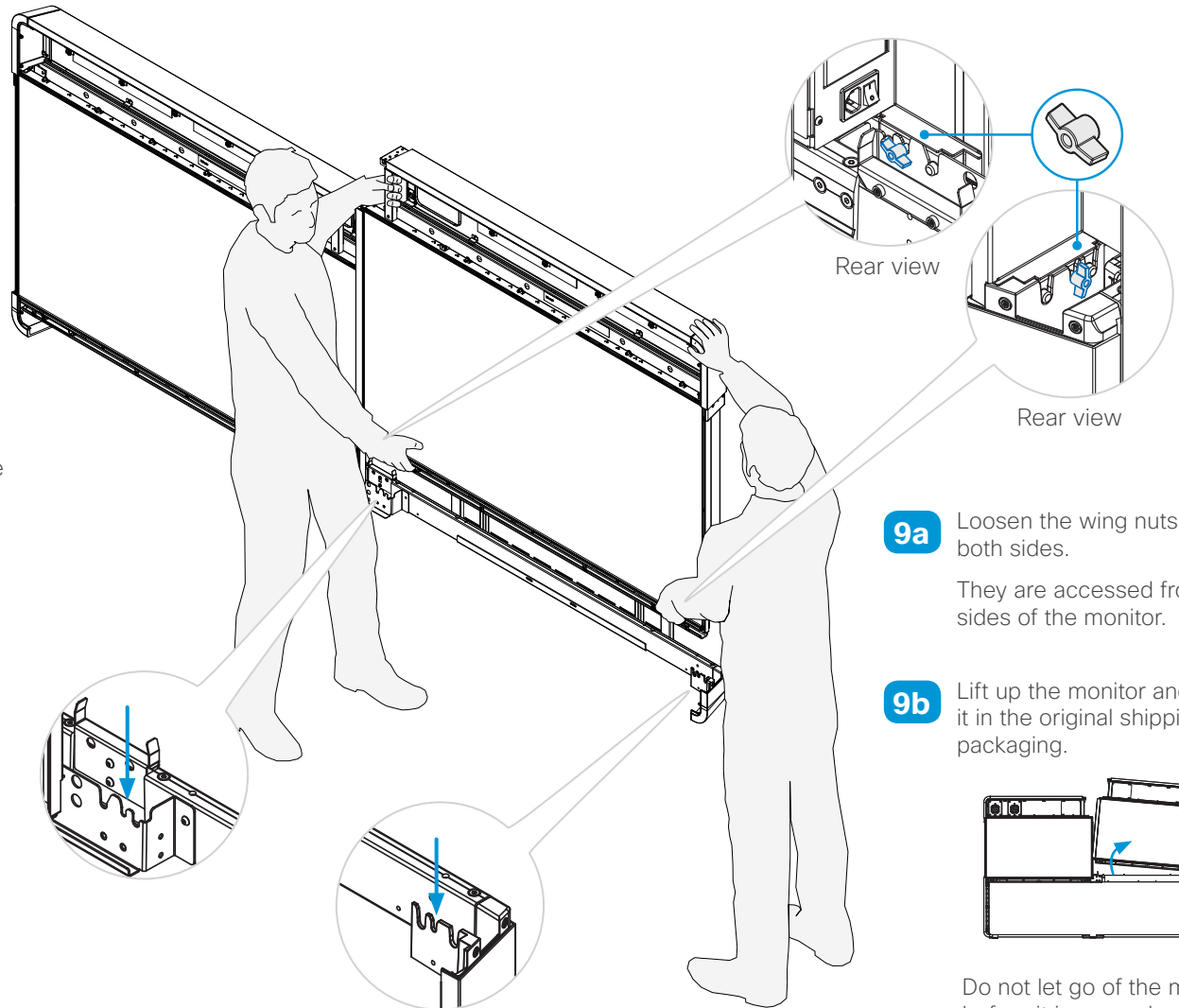
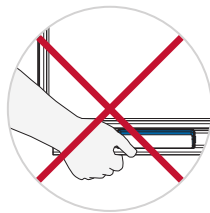
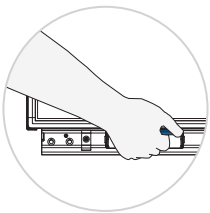
90 kg / 200lb

We recommend four people working together to replace the monitor. Two people should lift the monitor using the handles as described below; the other people must help stabilizing the monitor.



Use lifting handles

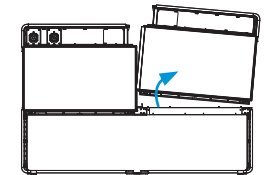
To avoid trapping your fingers, use the lifting handles at the bottom of the monitor.



9a Loosen the wing nuts on both sides.

They are accessed from the sides of the monitor.

9b Lift up the monitor and place it in the original shipping packaging.

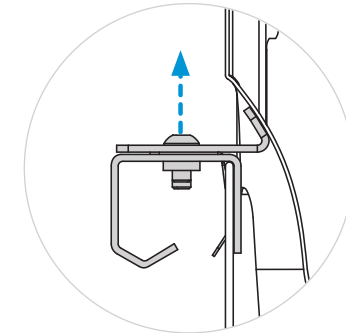
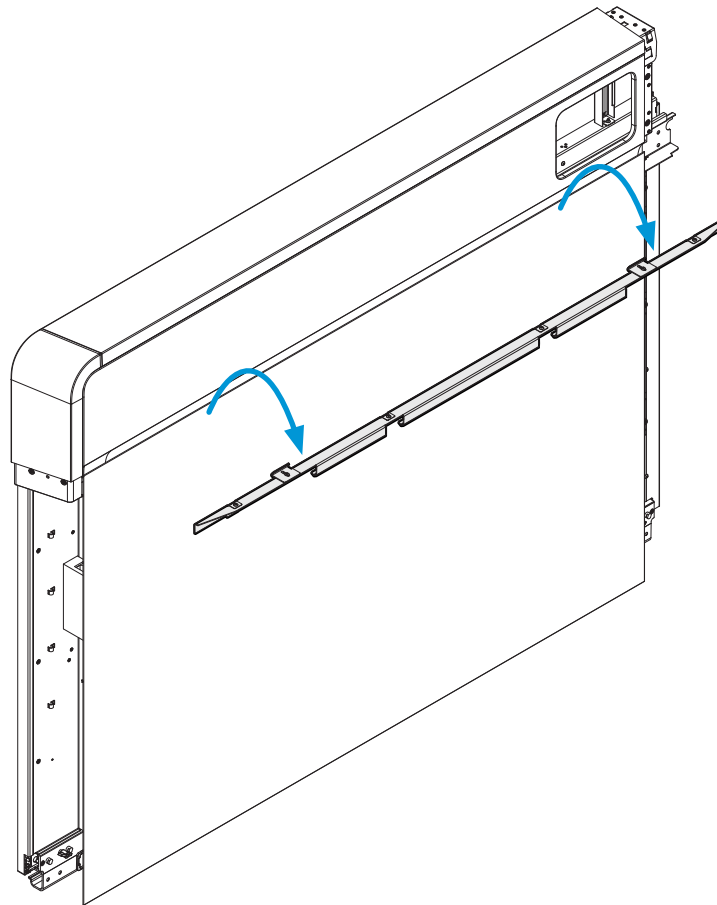


Do not let go of the monitor before it is securely placed.

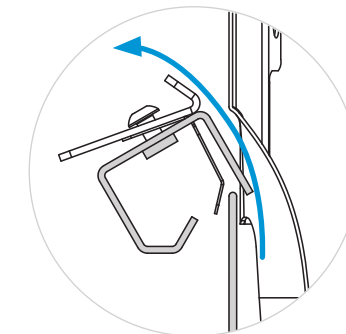
Replace monitor (wall mounted) (page 8 of 9)

Step 10: Uninstall the clamp at the rear side

- 10a** Place the monitor on a stable surface, and secure the monitor so it is not tipping.
- Use an Allen key 2.5 mm and remove the clamp as described in step 10b and 10c.



- 10b** Loosen the screws that fasten the clamp. Do not remove the screws.



- 10c** Gently loosen the clamp from all mounting points and then remove the clamp.

Re-assemble the clamp on the new monitor:

Slide the clamp in place on the monitor and check that it is properly fitted. Locate the support brackets; the support brackets are the loose brackets that you see between the screws and clamp. Push the support bracket tight against the back plate of the monitor and tighten the screws. **Check that the clamp is properly fastened.**



[Replace monitor \(wall mounted\) \(page 9 of 9\)](#)

Re-assembly:

In order to install the new monitor, follow all steps in reverse order.



Appendix

Part numbers for spare parts47

Part numbers for spare parts

Part number	Part description
CTS-MX800-D-FSK=	Floor stand kit (all stand parts for both free standing and wall secured options are included)
CTS-MX-FSK-SKI=	Feet for free standing floor stand. This is only the feet; it is not the complete frame. The feet are also included in the floor stand kit (CTS-MX800-D-FSK=)
CTS-MX700800-CFBB=	Lower joining bracket for floor stand. The bracket is also included in the floor stand kit (CTS-MX800-D-FSK=)
CTS-MX800-D-WMK=	Wall mount kit
CTS-MXCAM-D=	Dual camera assembly
CTS-MXCODEC=	Codec
CTS-MX700800-SPKR=	One loudspeaker (fits in all positions)
CTS-PWR-AIR-INJ5=	Power over Ethernet (PoE) injector (without cables)
CTS-MX800-MON-L-D=	Left monitor (without codec, loudspeakers, covers and cables)
CTS-MX800-MON-R-D=	Right monitor (without PoE injector, loudspeakers, covers and cables)
CTS-MX800-MONLD++=	TAA (Trade Agreement Act) compliant left monitor (without codec, loudspeakers, covers and cables)
CTS-MX800-MONRD++=	TAA (Trade Agreement Act) compliant right monitor (without PoE injector, loudspeakers, covers and cables)
CTS-MX800-DDC-TGR=	Speaker grille
CTS-MX800-D-LGR=	Lower grille for systems mounted on a stand (for both free standing and secured to the wall)
CTS-MX800-DWM-LGR=	Lower grille for wall mounted systems
CTS-MX800-MON-SCV=	Left and right side covers
CTS-MX800-D-CAMCV=	Center back cover, center top profile and camera cover

For a complete overview of spare parts and cables for MX800 Dual, refer to the *Spare part list* that is available on our web site. Go to <http://www.cisco.com/go/mx-docs> and select *Maintain and Operate Guides*.

Intellectual property rights

THE SPECIFICATIONS AND INFORMATION REGARDING THE PRODUCTS IN THIS MANUAL ARE SUBJECT TO CHANGE WITHOUT NOTICE. ALL STATEMENTS, INFORMATION, AND RECOMMENDATIONS IN THIS MANUAL ARE BELIEVED TO BE ACCURATE BUT ARE PRESENTED WITHOUT WARRANTY OF ANY KIND, EXPRESS OR IMPLIED. USERS MUST TAKE FULL RESPONSIBILITY FOR THEIR APPLICATION OF ANY PRODUCTS.

THE SOFTWARE LICENSE AND LIMITED WARRANTY FOR THE ACCOMPANYING PRODUCT ARE SET FORTH IN THE INFORMATION PACKET THAT SHIPPED WITH THE PRODUCT AND ARE INCORPORATED HEREIN BY THIS REFERENCE. IF YOU ARE UNABLE TO LOCATE THE SOFTWARE LICENSE OR LIMITED WARRANTY, CONTACT YOUR CISCO REPRESENTATIVE FOR A COPY.

The Cisco implementation of TCP header compression is an adaptation of a program developed by the University of California, Berkeley (UCB) as part of UCB's public domain version of the UNIX operating system. All rights reserved. Copyright © 1981, Regents of the University of California.

NOTWITHSTANDING ANY OTHER WARRANTY HEREIN, ALL DOCUMENT FILES AND SOFTWARE OF THESE SUPPLIERS ARE PROVIDED "AS IS" WITH ALL FAULTS. CISCO AND THE ABOVE-NAMED SUPPLIERS DISCLAIM ALL WARRANTIES, EXPRESSED OR IMPLIED, INCLUDING, WITHOUT LIMITATION, THOSE OF MERCHANTABILITY, FITNESS FOR A PARTICULAR PURPOSE AND NON-INFRINGEMENT OR ARISING FROM A COURSE OF DEALING, USAGE, OR TRADE PRACTICE.

IN NO EVENT SHALL CISCO OR ITS SUPPLIERS BE LIABLE FOR ANY INDIRECT, SPECIAL, CONSEQUENTIAL, OR INCIDENTAL DAMAGES, INCLUDING, WITHOUT LIMITATION, LOST PROFITS OR LOSS OR DAMAGE TO DATA ARISING OUT OF THE USE OR INABILITY TO USE THIS MANUAL, EVEN IF CISCO OR ITS SUPPLIERS HAVE BEEN ADVISED OF THE POSSIBILITY OF SUCH DAMAGES.

Any Internet Protocol (IP) addresses and phone numbers used in this document are not intended to be actual addresses and phone numbers. Any examples, command display output, network topology diagrams, and other figures included in the document are shown for illustrative purposes only. Any use of actual IP addresses or phone numbers in illustrative content is unintentional and coincidental.

All printed copies and duplicate soft copies are considered uncontrolled copies and the original on-line version should be referred to for latest version.

Cisco has more than 200 offices worldwide. Addresses, phone numbers, and fax numbers are listed on the Cisco website at www.cisco.com/go/offices.

Cisco and the Cisco logo are trademarks or registered trademarks of Cisco and/or its affiliates in the U.S. and other countries. To view a list of Cisco trademarks, go to this URL: www.cisco.com/go/trademarks. Third-party trademarks mentioned are the property of their respective owners. The use of the word partner does not imply a partnership relationship between Cisco and any other company. (1110R)

Cisco contacts

On our web site you will find an overview of the worldwide Cisco contacts.

Go to: <http://www.cisco.com/go/offices>

Corporate Headquarters
Cisco Systems, Inc.
170 West Tasman Dr.
San Jose, CA 95134 USA