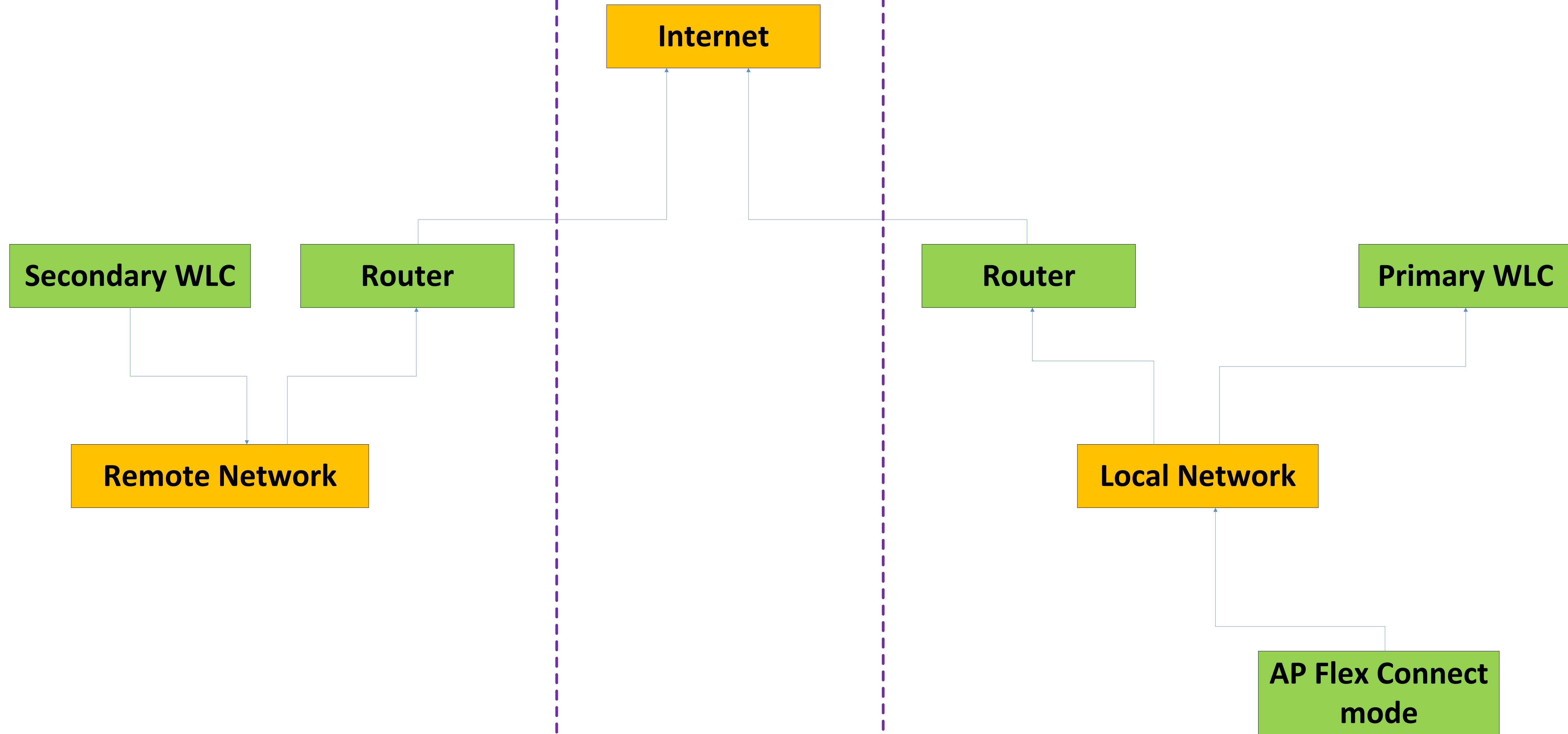


Remote Site

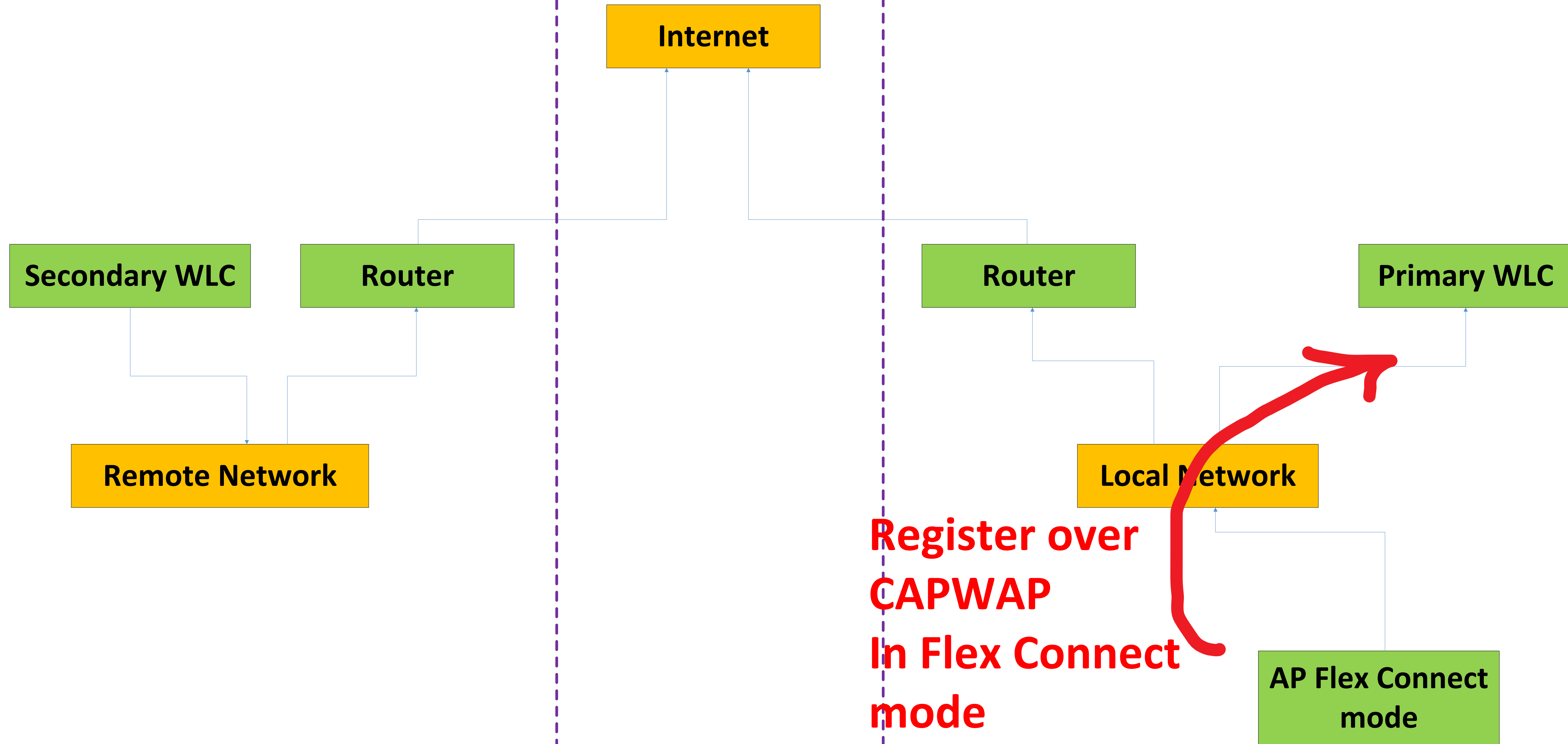
Local Site



See below page

Remote Site

Local Site



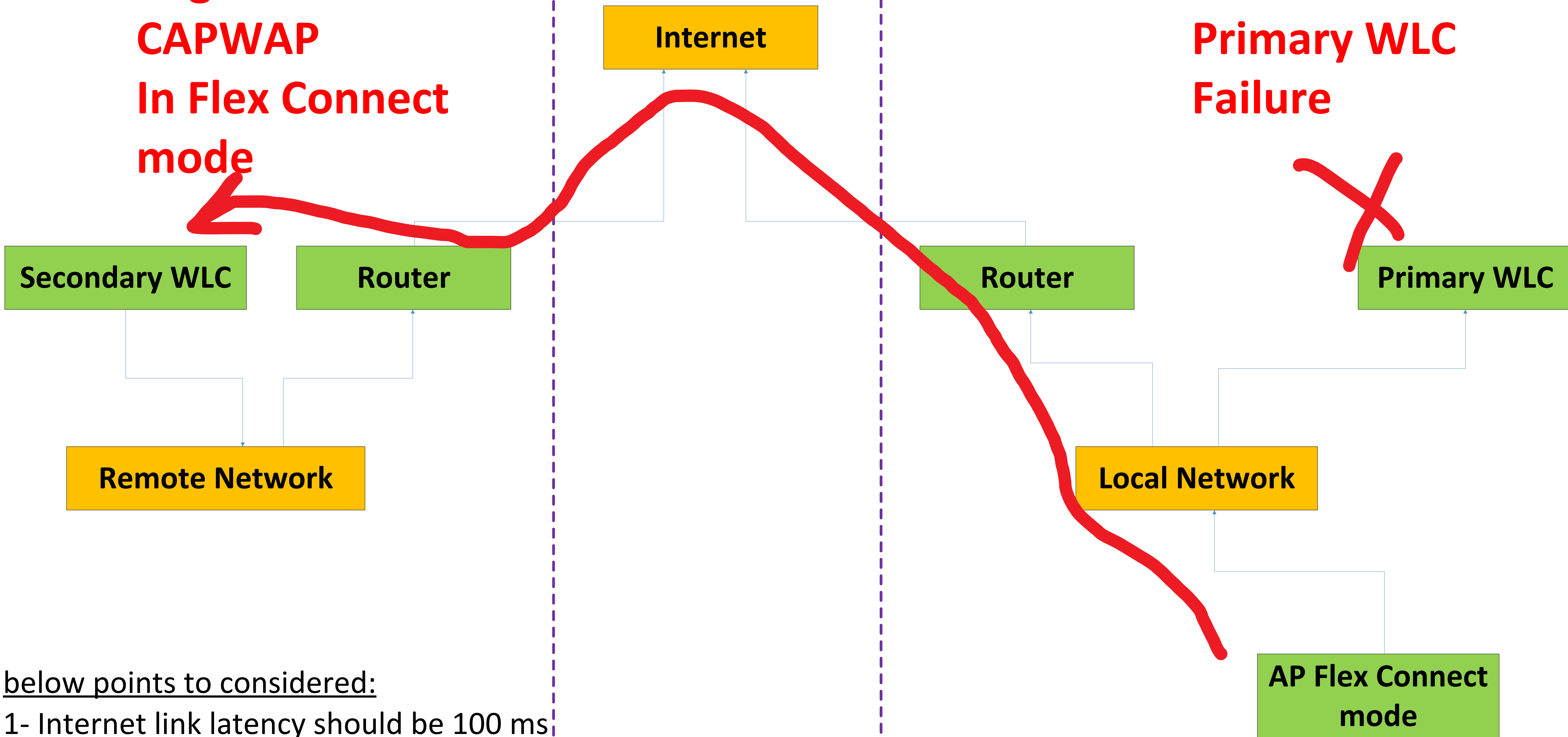
See below page

Register over
CAPWAP
In Flex Connect
mode

Remote Site

Local Site

**Register over
CAPWAP
In Flex Connect
mode**



below points to considered:

- 1- Internet link latency should be 100 ms
- 2- No need for VPN tunnel between sites
- 3- WLC in Remote Site will be Secondary WLC while WLC in Local Site will be Primary WLC and their configuration should always be identical and managed by the network administrator.