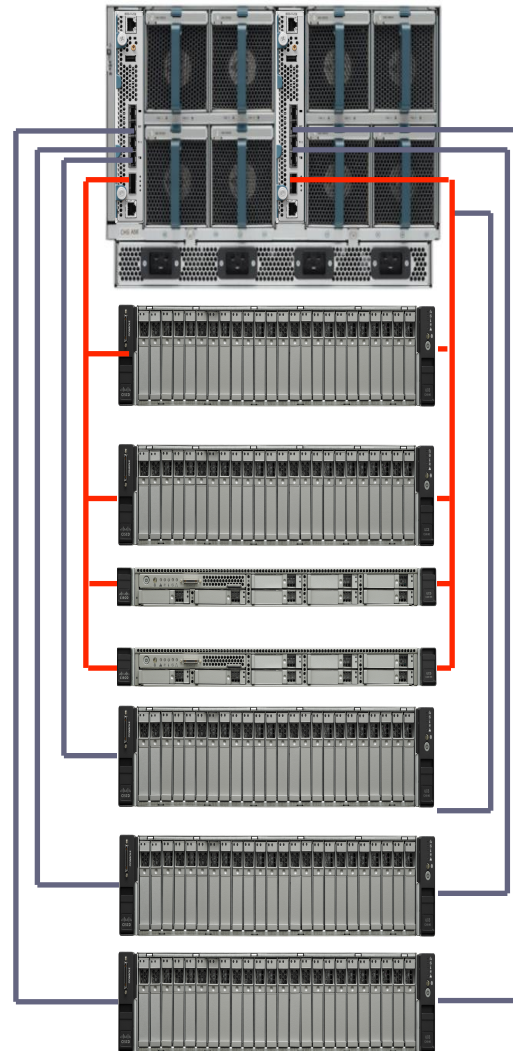


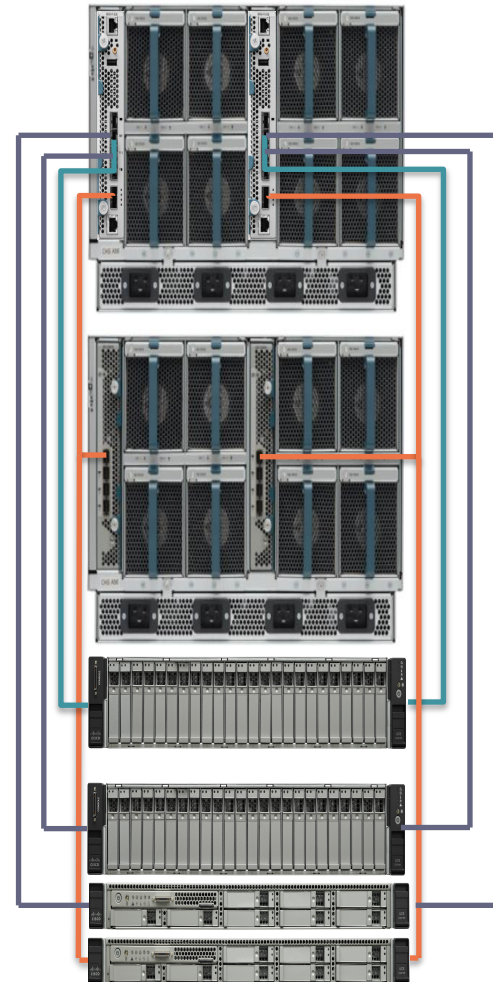
# Current Release – 3.0(1c)

- Up to 7 rack mount servers
  - C220M3 and C240M3



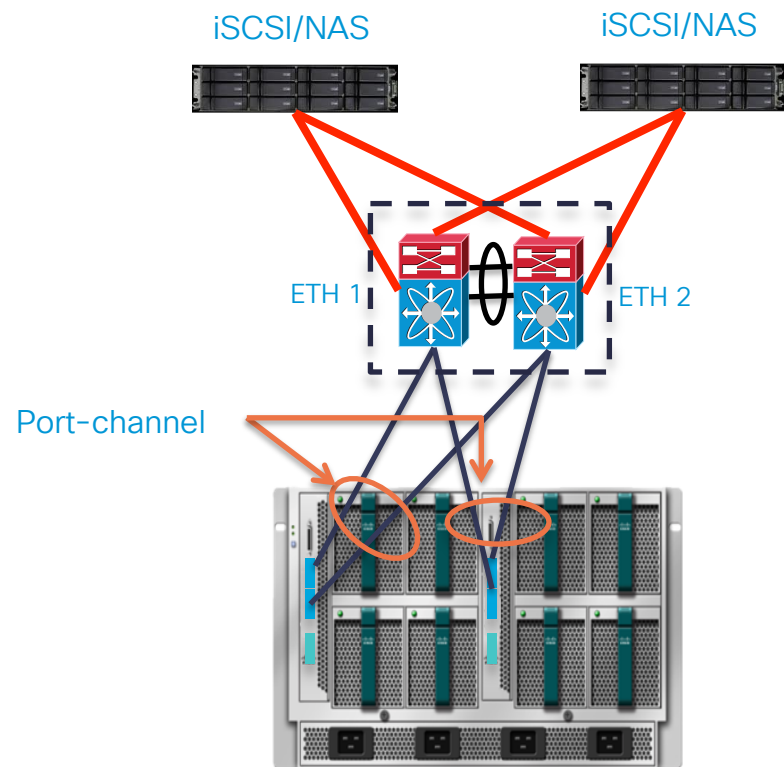
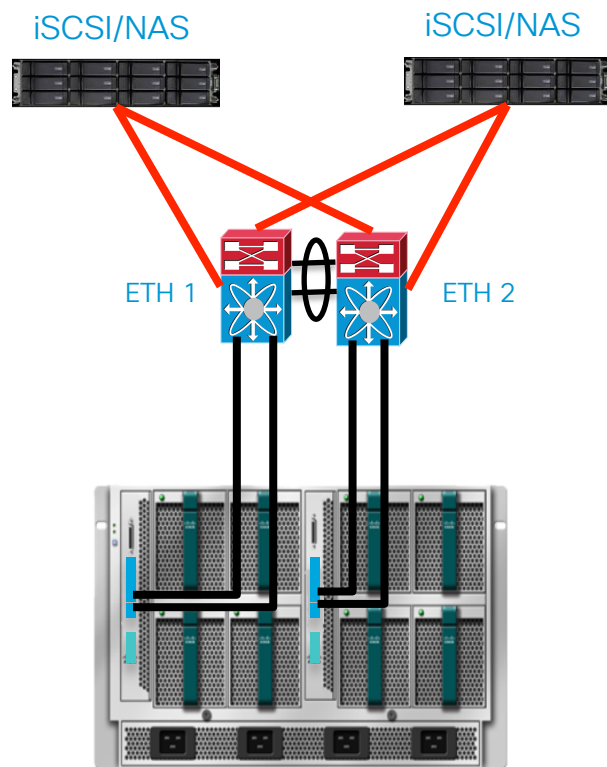
# Future Support

- Connect up 2 Chassis
  - 2<sup>nd</sup> chassis is child (with 2204XP or 2208XP IOM)
  - Licensed 40G scalability port
- Total 20 Servers
  - 16 Blades
  - 4 Rack Servers



# Supported Topologies

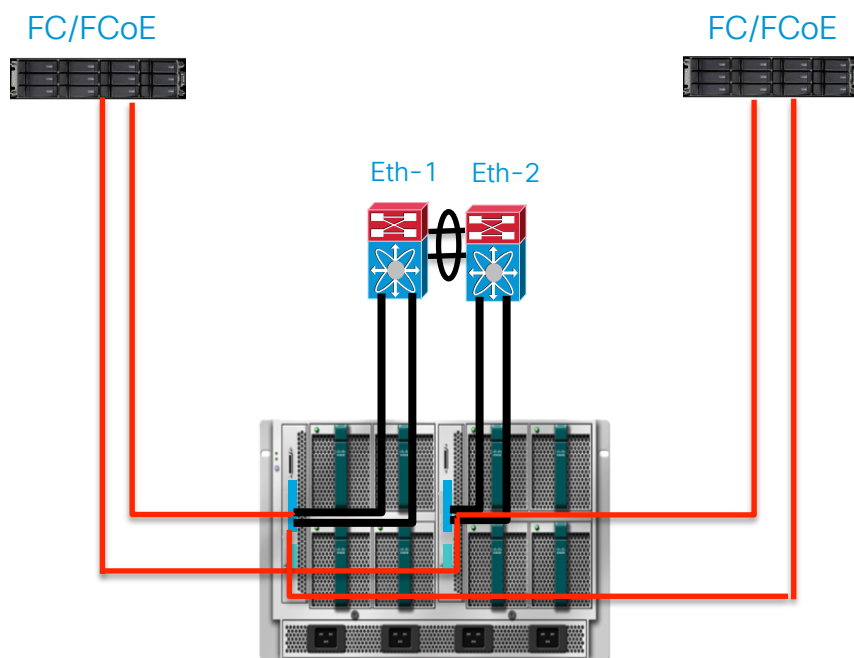
## IP Based Connectivity



# Supported Storage Topologies

## Direct Attached and SAN Storage

Direct Storage



SAN Connection

