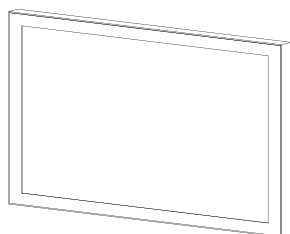


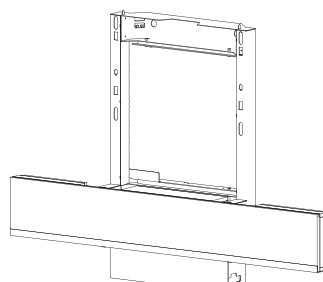
Installation

TANDBERG
3000/6000 **MXP** Profile

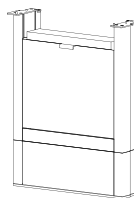
1 Unpacking



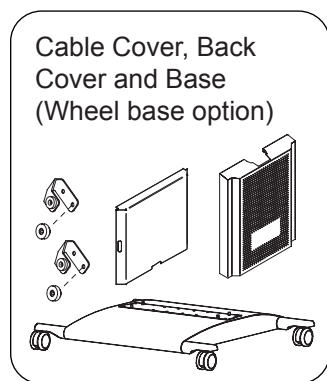
Monitor



Top Module



Column and Foot



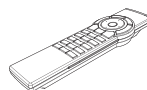
Cable Cover, Back Cover and Base (Wheel base option)



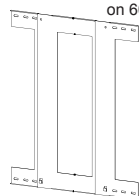
Wrench



Screw driver
(for removing the handles on 6000 MXP Profile 50")



Remote Control



Wall Bracket



Camera Stand

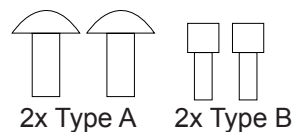


Camera



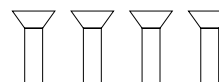
User Manual on CD

Bolts:

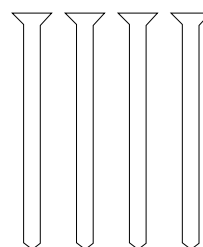


2x Type A

2x Type B

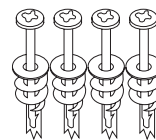


4x Type C



4x Type D

+ 4x plugs for concrete



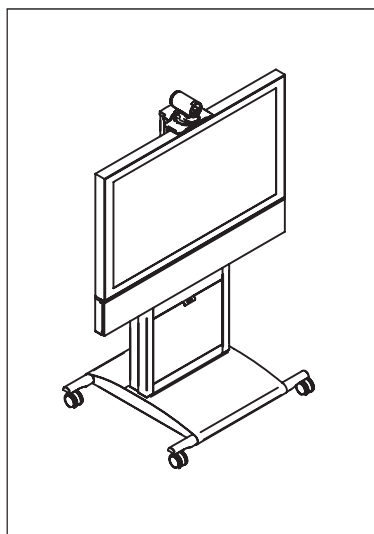
4x Type E

+ 4x washers for gypsum/plasterboard

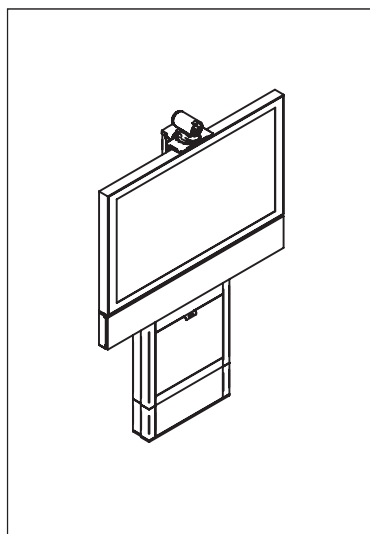
For mounting of the Wheel base, Foot mount or the Wall mount version, follow the respective instructions on the following pages.

2 Mounting

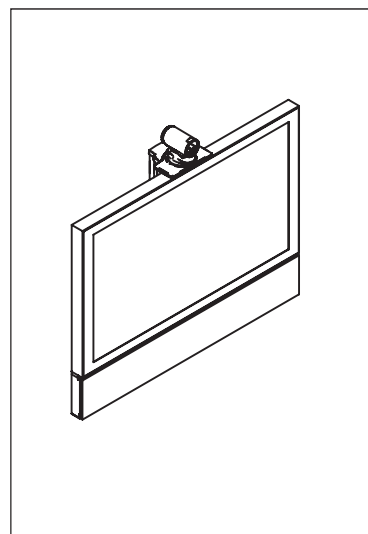
For mounting of the Wheel base, Foot mount or Wall mount, follow the respective instructions on page 2-6.



Wheel base



Foot mount



Wall mount

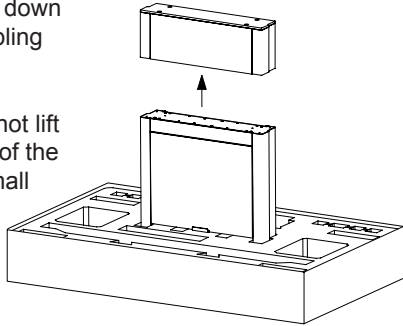
Wheel base

TANDBERG
3000/6000 **MPX** Profile

1 Disassemble the Foot from the Column. Keep the bolts

Keep the Column in the package upside down while disassembling the Foot.

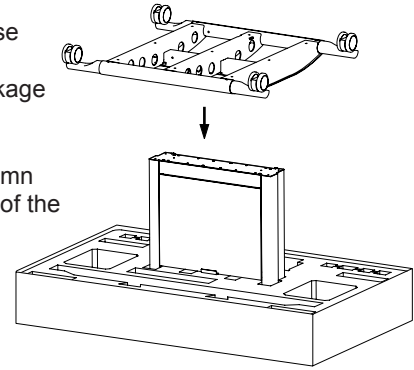
WARNING! Do not lift the Column out of the package, the small pegs on the Column may dent the floor.



2 Assemble the Column to the Base with the 8 bolts from the Foot

Assemble the Base while the Column stands in the package upside down.

Then, lift the Column and the Base out of the package.



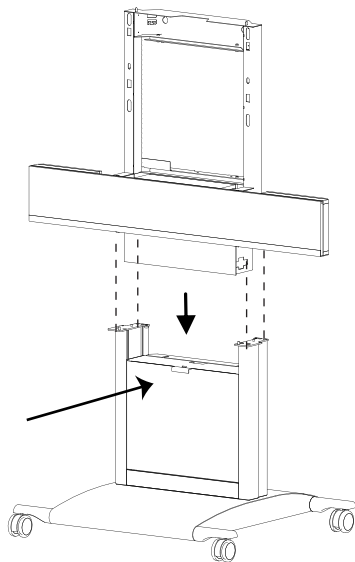
3 Mount the Top Module to the Column

1)
Use 4x type C bolts in front and on sides from underneath.

2)
Use 2x type B bolts behind, from above.

Remove rubber band before mounting.

Remove protection foil from acrylic plate.

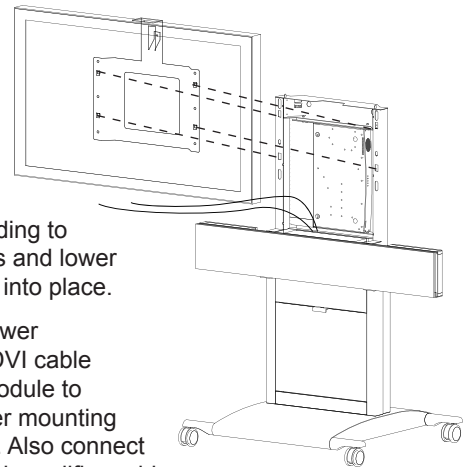


4 Lift the Monitor onto the Top Module and connect cables

Align according to arrow labels and lower the Monitor into place.

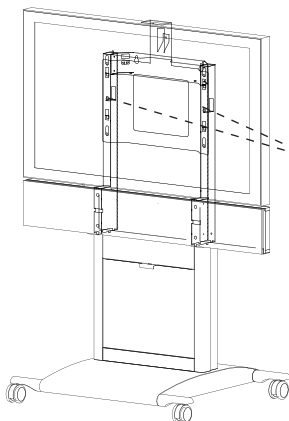
Connect power cable and DVI cable from Top Module to Monitor after mounting the Monitor. Also connect speaker and amplifier cables.

Put excess cable length back behind monitor.



Caution! Be careful not to squeeze fingers or cables. Rearrange cables if necessary.

5a Mount the Monitor 43"/50", for 32" see 5b



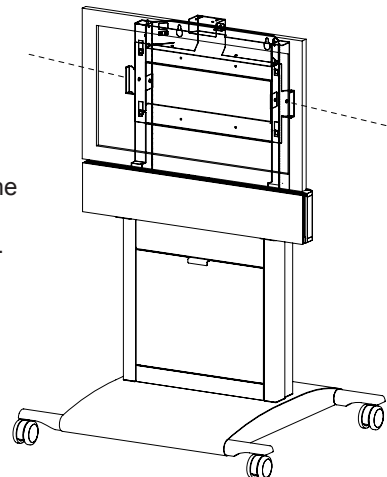
On all products, except TANDBERG 3000 MXP 32" Profile:

Use 2x type A bolts to fixate the Monitor.

5b Mount the Monitor 32"

On TANDBERG 3000 MXP 32" Profile:

Tighten the bolts on each side of the rear structure to fixate the Monitor.



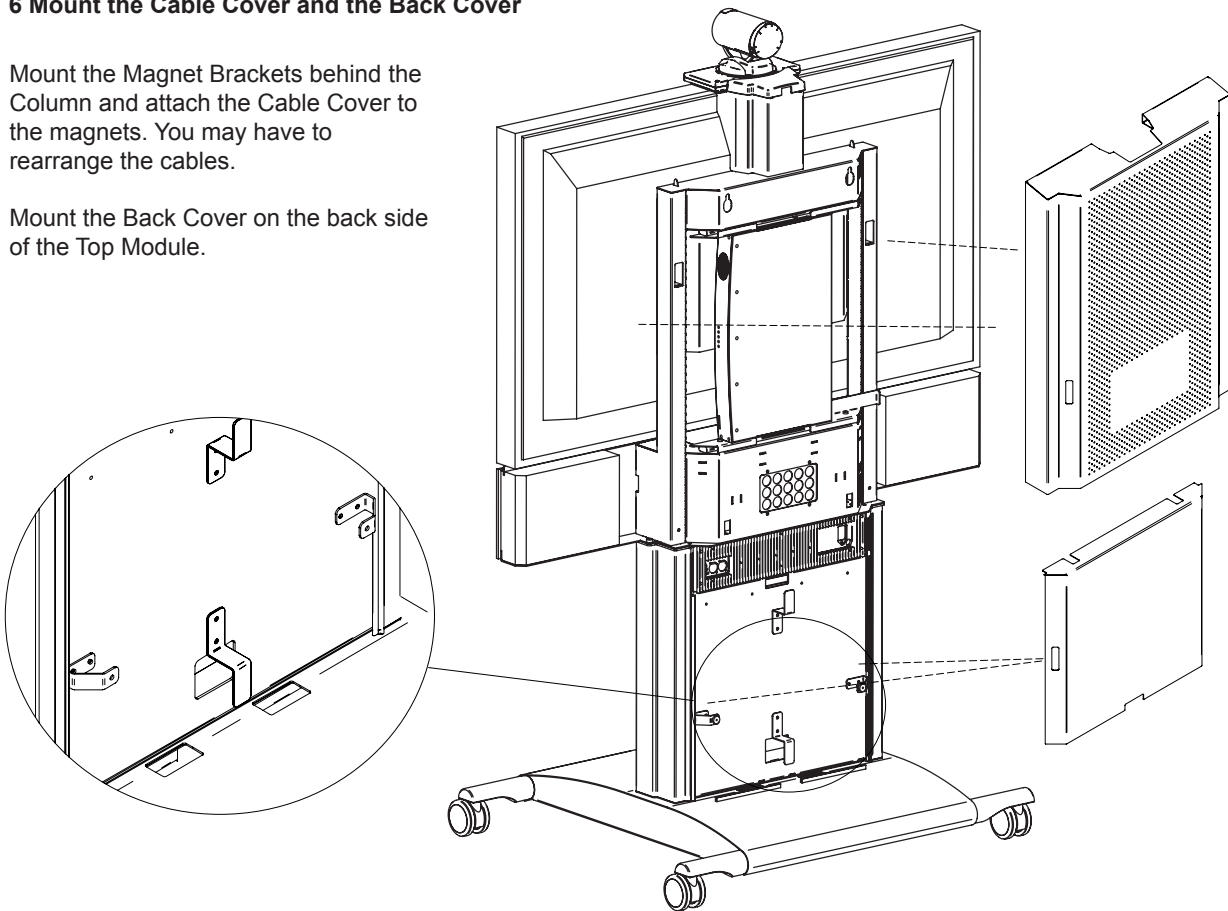
Wheel base

TANDBERG
3000/6000 **MXP** Profile

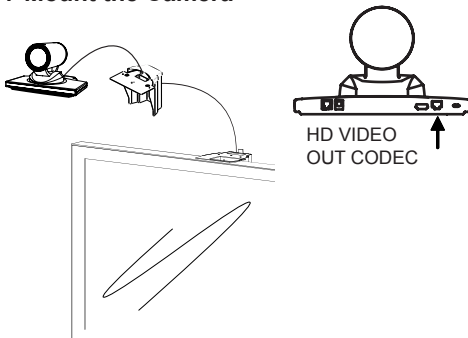
6 Mount the Cable Cover and the Back Cover

Mount the Magnet Brackets behind the Column and attach the Cable Cover to the magnets. You may have to rearrange the cables.

Mount the Back Cover on the back side of the Top Module.



7 Mount the Camera



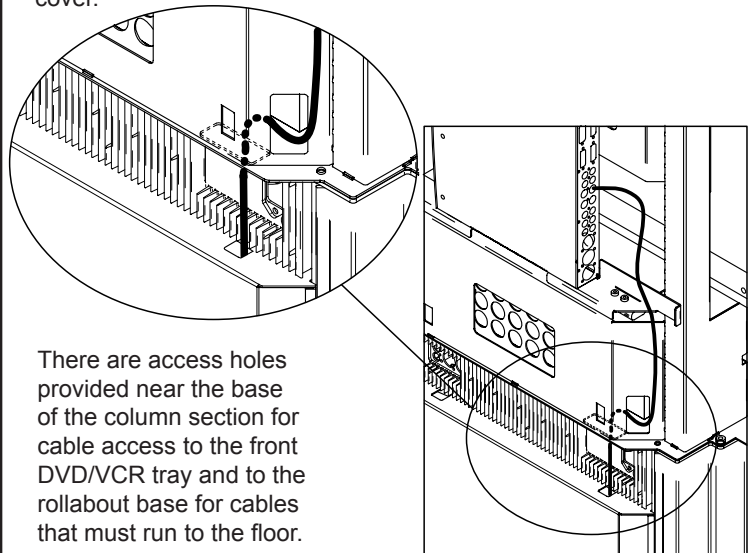
Pull cable through Camera Stand, and place it behind the Monitor.

Ensure that the Camera Stand is properly connected to the magnets on top and behind. Plug cable to Camera as shown on figure above.

Place Camera on top. The guide pin and magnets will ensure correct placement. Please verify that the Camera is aligned with the front line of the Monitor.

8 Connecting external devices

If external devices are connected to the system, lead the cables through the hole in the cable cover.



There are access holes provided near the base of the column section for cable access to the front DVD/VCR tray and to the rollout base for cables that must run to the floor.

Foot mount

TANDBERG
3000/6000 **MPX** Profile

Warning!

Due to the size and mass of this equipment, it is very important that the wall mount unit is safely installed according to these installation instructions and that the wall is able to safely support the product. It is highly recommended that this Foot mount unit is installed by trained personnel.

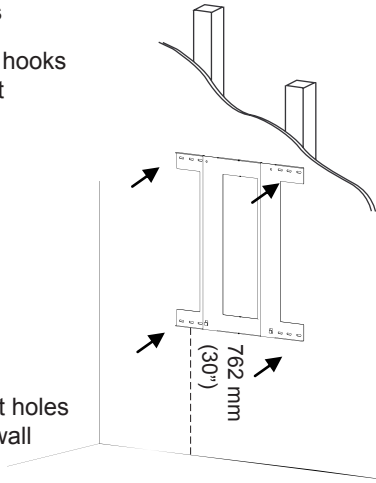
1 A) Mount the Wall Bracket to the wall - Studs/pillars

Make sure that the hooks on the Wall Bracket point upwards.

Mount 762 mm (30") horizontally from floor to underneath wall-mount.

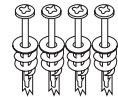
Use 4 type D bolts.

Make sure to select holes that align with the wall studs/pillars.



1 B) Mount the Wall Bracket to the wall - Drywall/plasterboard with minimum thickness 13mm (1/2")

Follow the same procedure as described in 1A) but use 4 type E bolts with 4 washers.



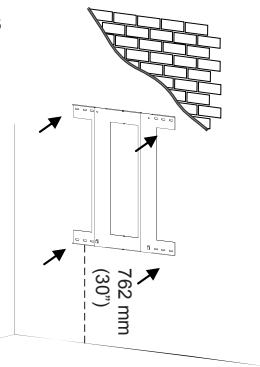
Drill a hole (Ø6,0mm / 1/4") for the plug and then fasten the type E bolts with washers.

1 C) Mount the Wall Bracket to the wall - Brick/Concrete wall

Make sure that the hooks on the Wall Bracket point upwards.

Mount 762 mm (30") horizontally from floor to underneath wall-mount.

Use 4 type D bolts with concrete plugs.



2 Mount the Top Module and the column to the Wall Bracket

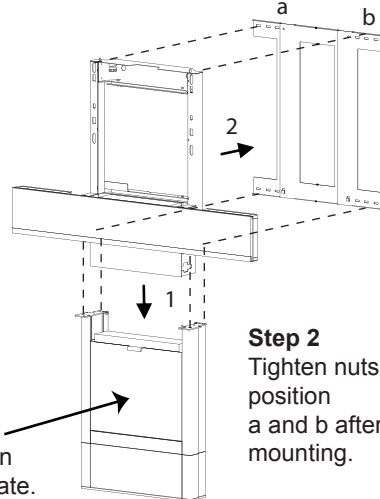
Step 1

Use 2x type B bolts behind from above

Use 4x type C bolts in front and on sides from underneath.

Remove rubber band before mounting.

Remove protection foil from acrylic plate.



Step 2
Tighten nuts in position a and b after mounting.

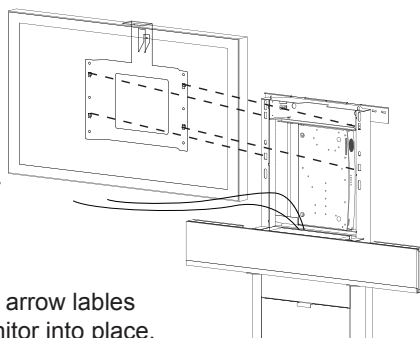
3 Connect cables and mount the Monitor

(Please note that the 32" Monitor shall be mounted as described in 5b on page 2).

Connect power cable and DVI cable from Top Module to Monitor before mounting the Monitor.

Align according to arrow labels and lower the Monitor into place.

Put excess cable length back behind Monitor.

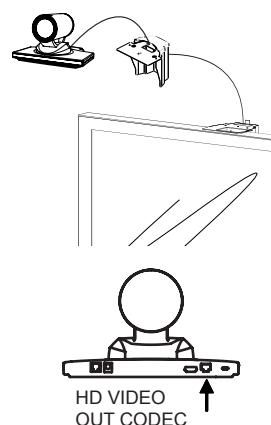


4 Mount the Camera

Pull cable through Camera Stand, and place it behind the Monitor. Ensure that the Camera Stand is properly connected to the magnets on top and behind.

Plug cables to Camera and place camera on top with velcro.

Disassemble the handles at the back of the screen with the screw driver. (6000 MPX Profile only)



Wall mount

TANDBERG
3000/6000 **MPX** Profile

Warning!

Due to the size and mass of this equipment, it is very important that the wall mount unit is safely installed according to these installation instructions and that the wall is able to safely support the product. It is highly recommended that this wall mount unit is installed by trained personnel.

According to Standard IEC60950 3rd ed. the wall is required to support four times the actual load, which implies that a TANDBERG MPX Profile system must be mounted to a wall which supports:

4x 77kg=308kg/679 lbs (T6000 50"), 4x 61kg=244kg/538 lbs (T3000 42") and 4x 49kg=196kg/432 lbs (T3000 32").

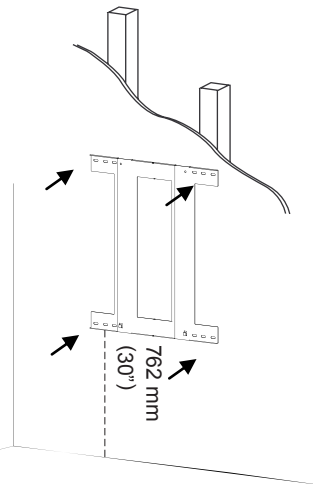
1 A) Mount the Wall Bracket to the wall - Studs/pillars

Make sure that the hooks on the Wall Bracket point upwards.

Mount the Wall Bracket horizontally in desired high from floor, recommended 762 mm (30").

It is important that the bracket is fastened to the studs/pillars, using 4 type D bolts.

Make sure to select holes that align with the wall studs/pillars



1 B) Mount the Wall Bracket to the wall - Brick/Concrete wall

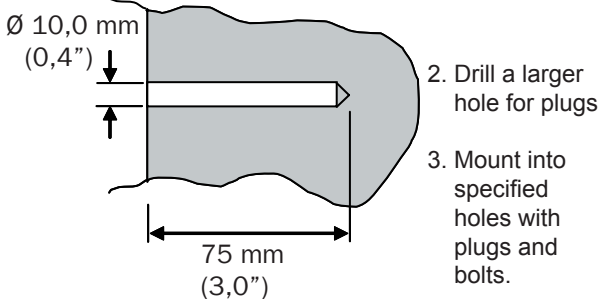
Make sure that the hooks on the Wall Bracket point upwards.

Mount the Wall Bracket horizontally in desired high from floor, recommended 762 mm (30").

Use 4 type D bolts with concrete plugs.

Ø 3,0 mm
(0,1")

Ø 10,0 mm
(0,4")



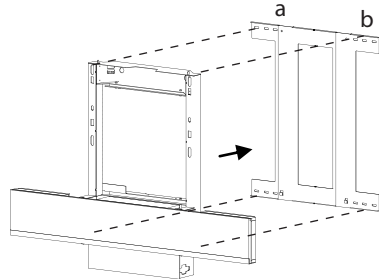
1. Drill a small initial hole

2. Drill a larger hole for plugs

3. Mount into specified holes with plugs and bolts.

2 Mount the Top Module to the Wall Bracket

Tighten nuts in position a and b after mounting.



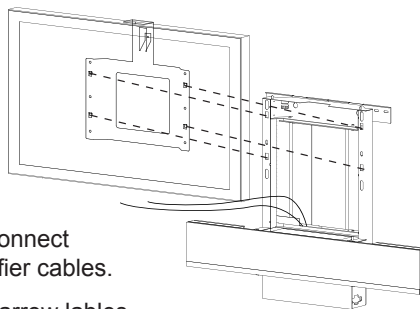
3 Connect cables and mount the Monitor

(Please note that the 32" Monitor shall be mounted as described in 5b on page 2).

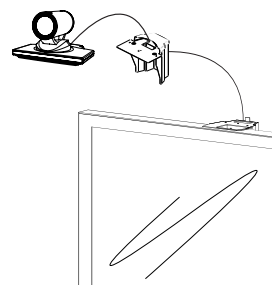
Connect power cable and DVI cable from Top Module to Monitor before mounting the Monitor. Also connect speaker and amplifier cables.

Align according to arrow labels and lower the Monitor into place.

Put excess cable length back behind Monitor.

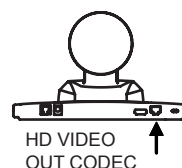


4 Mount the Camera



Pull cable through Camera Stand, and place it behind the Monitor. Ensure that the Camera Stand is properly connected to the magnets on top and behind.

Plug cables to Camera and place camera on top with velcro.



HD VIDEO
OUT CODEC

Caution! Be careful not to squeeze fingers or cables. Rearrange cables if necessary.

Installation

TANDBERG
3000/6000 **MPX** Profile

3 System Configuration

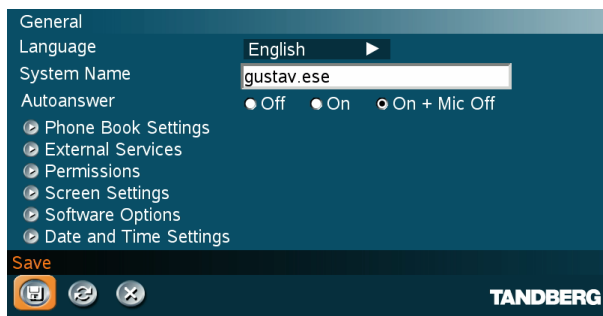
1. Open the Control Panel

Choose 'Control Panel' from the main menu and press OK.



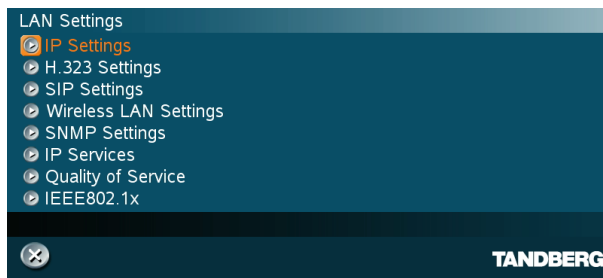
2. Language

Open 'General'. Select language and press save.



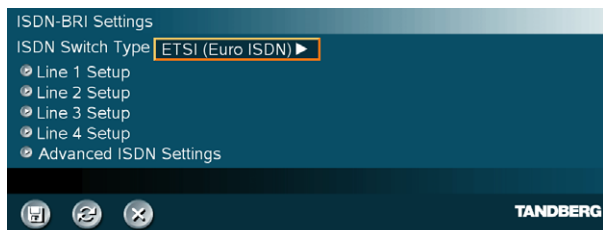
3a. LAN Configuration

Open 'Network - LAN Settings'. Make IP/H.323 configuration and press 'Save'.



3b. ISDN Configuration

Open 'Network - ISDN Settings'. Select ISDN-BRI Settings or ISDN-PRI Settings. Make ISDN configuration and press 'Save'.



TIP

If the menu is not already present, press the OK/Menu key on the remote control to open the menu. Navigate the menu with arrow keys and OK



Please read the user manual for further details.